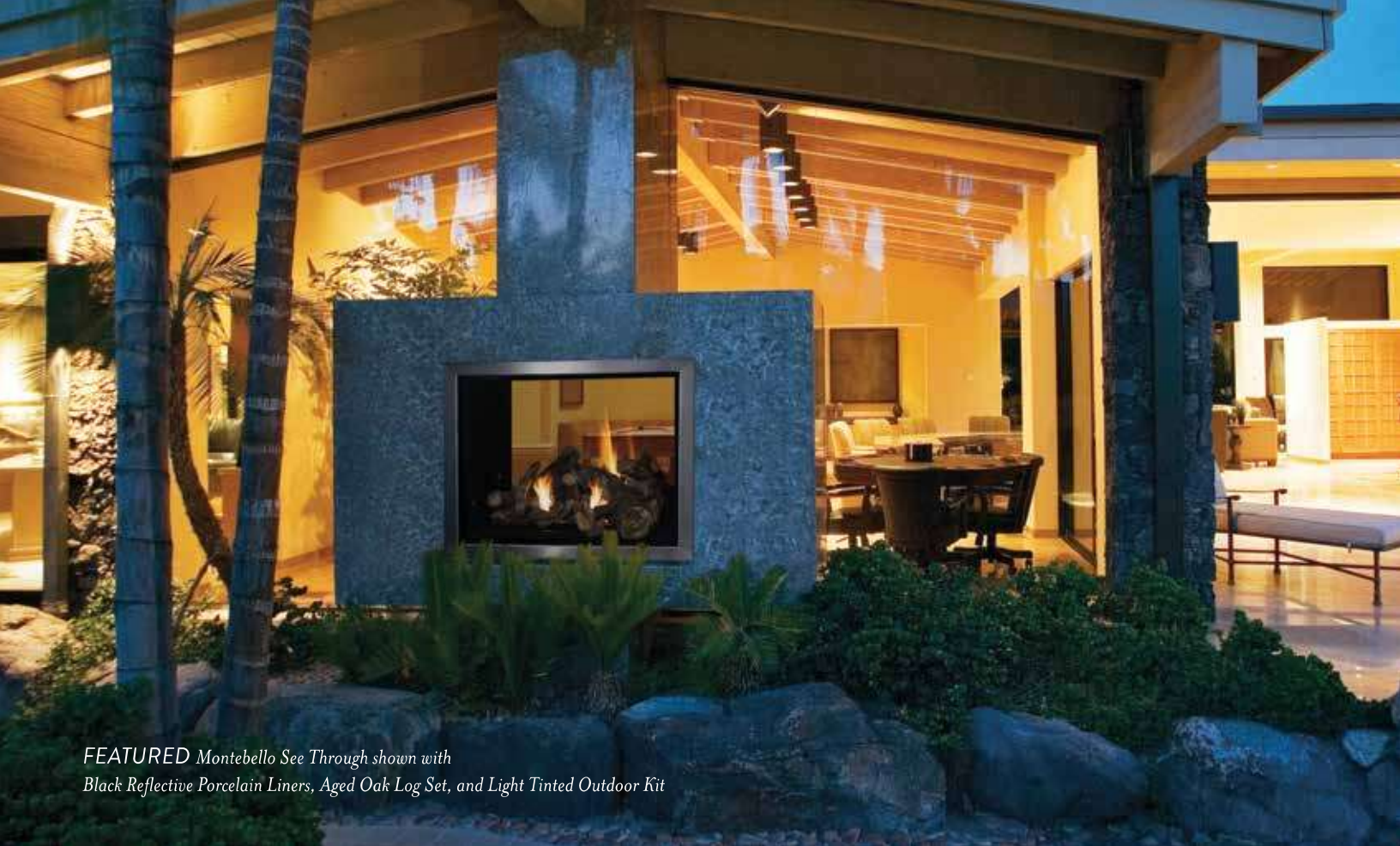


# MONTEBELLO ST

DIRECT VENT GAS FIREPLACES





*FEATURED Montebello See Through shown with  
Black Reflective Porcelain Liners, Aged Oak Log Set, and Light Tinted Outdoor Kit*

The **Montebello See Through** Direct Vent Gas Fireplace presents a traditional design with expansive ceramic glass opening for a true masonry appearance. With its flush hearth floor design, dramatic flame presentation along with industry leading heating performance, the Montebello ST provides multiple possibilities for making your living area warm and inviting.

## STANDARD FEATURES

- ◆ Available in a 40" See Through model-configurable as indoor/indoor or indoor/outdoor applications
- ◆ Gas controls are conveniently hidden to the side of the fireplace opening for easy installation and finishing
- ◆ Electronic ignition with battery backup to provide continued operation in the event of a power outage
- ◆ Six flame settings with up to a 33% turn-down for precise heat control
- ◆ Smooth-faced design features ceramic glass for optimum heat transfer and a protective screen\*
- ◆ Beautifully crafted aged oak high density fiber log set with heavy duty grate
- ◆ Interior liner selections consists of two-piece black reflective porcelain or ceramic fiber available in a variety of colors and patterns
- ◆ Full function remote control (T-stat, flame, IPI/CPI)
- ◆ Available in dedicated power-vent models (Natural Gas only)
- ◆ Optional outdoor window kit, tested and listed to ASTM commercial window standard for air infiltration, water resistance, structural integrity and thermal resistance (U-Value/CRF)
- ◆ Limited Lifetime Warranty

\*All applicable models comply with ANSI Z21.50/88 barrier requirements.

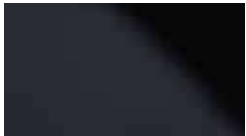


*FEATURED Aged Oak high density fiber log set with heavy duty grate*

**Required Options (Choose One)**

**INTERIOR**

*Choose from six, realistic fireplace liners that deliver the true look of artisanal craftsmanship.*



*Black Reflective Porcelain Liner*



*Buff Rustic Stacked Ceramic Fiber Liner*



*Black Rustic Ceramic Fiber Liner*



*Buff Herringbone Ceramic Fiber Liner*



*Architectural Stone Ceramic Fiber Liner*



*Venetian Tile Ceramic Fiber Liner*

**Outdoor kit Options**

*(One required for indoor/outdoor application)*



*Light Tinted*



*Dark Tinted*

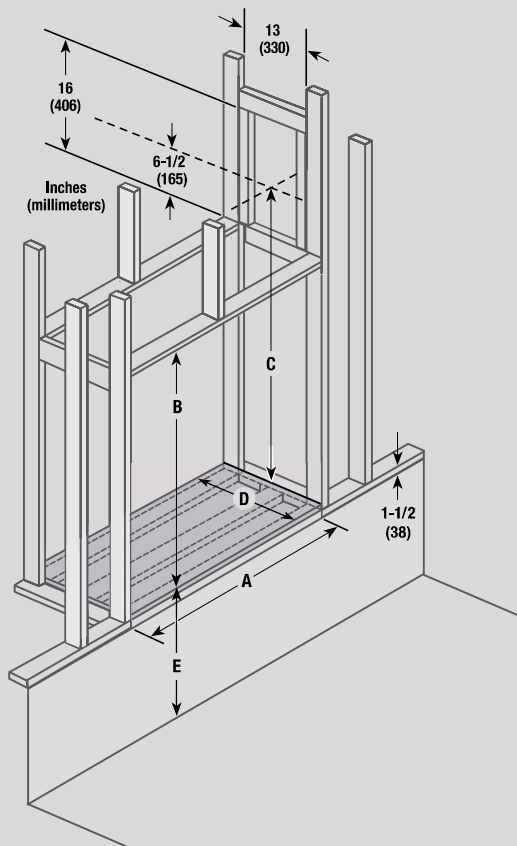
**Total Comfort Control Remote (Included)**

*All Montebello ST models come complete with a multi-function remote that gives you convenient control of all the built-in features.*

- Manual On-Off & Thermostatic Modes
- 6 Flame Heights Settings
- Weekday/Weekend Modes



## FLAT WALL FRAMING SPECIFICATIONS



### MONTEBELLO ST

A	52-1/16"
B	47-5/16"
C	75-1/2"
D	26-5/16"
E	6" (Pedestal for outdoor applications only)

*FRONT COVER Montebello See Through shown with Black Reflective Porcelain liners and Aged Oak Log Set*

#### IMPORTANT NOTES:

As with any fireplace, this appliance is extremely hot during operation. Read and understand all operating instructions before using this appliance. For further information, consult your dealer.

Local conditions, such as elevation, wind, vent configuration and choice of fuel will affect overall appearance of the fire and heating performance. Performance can also vary with home design and insulation, climate, condition and type of fuel used, appliance location, burn rate, accessories chosen, chimney installation and how the appliance is operated.

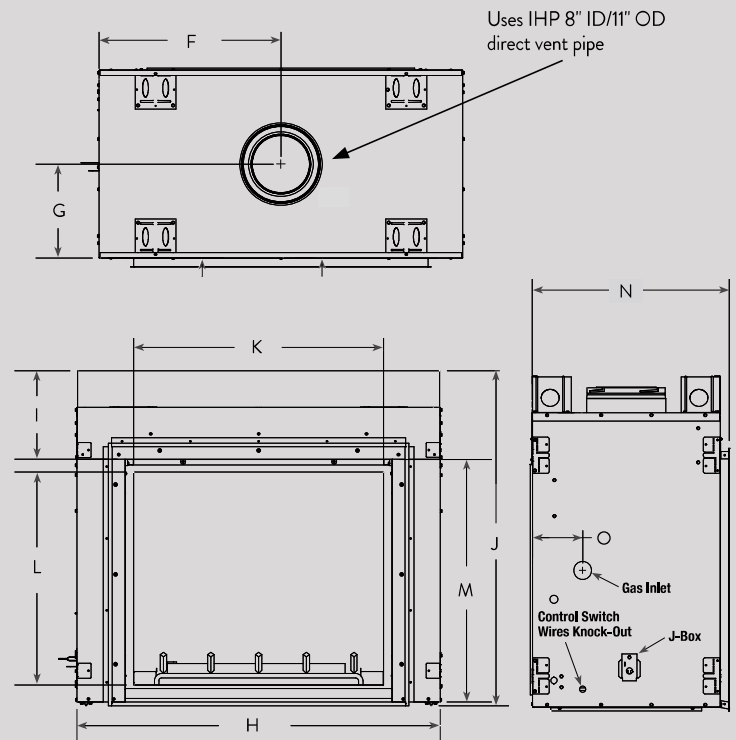
Diagrams, illustrations and photographs are not to scale—consult installation instructions. Product designs, materials, dimensions, specifications, colors and prices are subject to change or discontinuance without notice.

**astria**  
FIREPLACES®

© 2021 Innovative Hearth Products  
785619M 03/21

Visit us online  
Astria.us.com

## APPLIANCE SPECIFICATIONS



### MONTEBELLO ST

F	25-9/32"
G	13-3/32"
H	50-1/2"
I	12-5/16"
J	46-19/32"
K	34-3/4"
L	29-19/32"
M	33-3/4"
N	27-7/16"
O	7"

### FIREPLACE EFFICIENCIES — Listed to ANSI Z21.88 as a gas fireplace heater.

MODEL	FUEL	BTU/HR	AFUE**	P4/ENERGUIDE*
MONTEBELLO ST	NG	57,000-37,000	60.9%	59.9%
MONTEBELLO ST	LP	50,000-40,000	59.8%	55.1%
MONTEBELLO STTYN	NG	57,000-37,000	65.1%	61.6%

\*Intermittent ignition systems

\*\*Annual Fuel Utilization Efficiency (AFUE) is the recognized U.S. rating system for the total efficiency of heating products.

**PFS**  
C US  
Report #F14-107

