



Features

Compatible with the Cool Wall Advantage kit

Certain size models meet requirements for efficiency rebates

DISTINCTION

SPECIFICATIONS AND FEATURES

**D3615, D4815,
D6315, D7215**

Single sided
Direct vent

**DISTINCTION FULL LOAD
CONTEMPORARY**

Standard

Concealed burner with Ice fireglass

Multi-function remote control

Remote Hi-Lo flame control[†]

Remote controlled fans

Invisimesh screen

Black reflective glass

Multicolor LED uplighting

Battery backup

Options

Cool Wall Advantage

Propane conversion kit

Adjustable trim kit

Fluted liners

[†]30% turndown, 50% turndown for D6315

QUICK DIMENSIONS

	D3615		D4815		D6315		D7215	
	UNIT	FRAM.	UNIT	FRAM.	UNIT	FRAM.	UNIT	FRAM.
WIDTH	51 ⁷ / ₈	59 ³ / ₄	63 ⁷ / ₈	71 ³ / ₄	72 ⁷ / ₈	79 ¹ / ₂	87 ⁷ / ₈	95 ³ / ₄
HEIGHT	41	49 ¹⁵ / ₁₆	41	49 ¹⁵ / ₁₆	33 ³ / ₁₆	50 ³ / ₈	43 ¹ / ₈	59 ³ / ₈
DEPTH	17 ³ / ₈	17 ¹ / ₂	17 ³ / ₈	17 ¹ / ₂	16 ¹ / ₂	18	18 ³ / ₈	18 ¹ / ₂
VIEWING	36 × 15 ¹ / ₂		48 × 15 ¹ / ₂		63 × 14		73 ⁷ / ₈ × 15 ¹ / ₂	

BTU LISTING

D3615*1-2 / 35,000
D4815*1-2 / 40,000

D6315*1-2 / 50,000
D7215*1-2 / 57,000

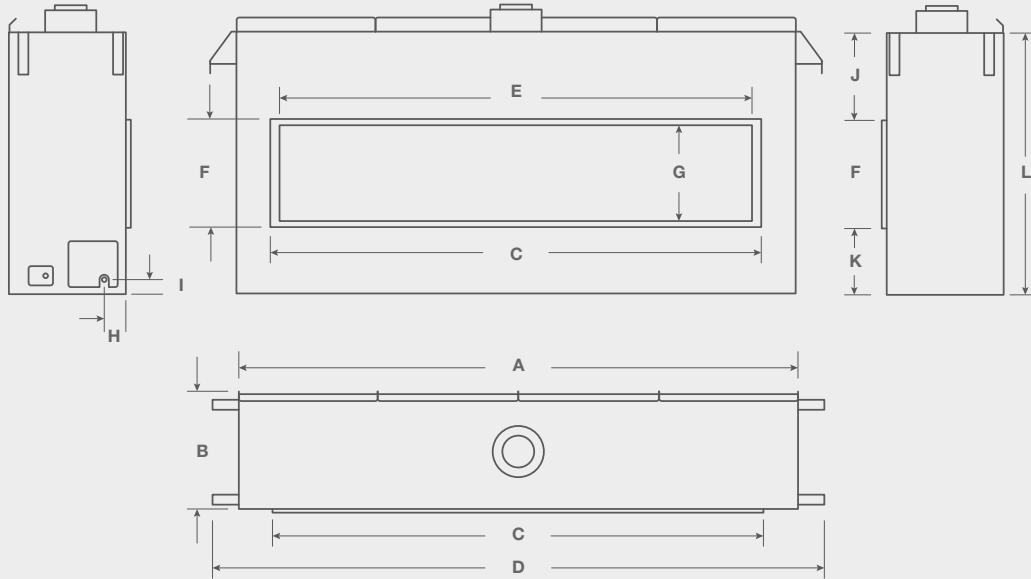
EFFICIENCY

D3615NI-2 / 71.96 P.4 1-15
D4815NI-2 / 77.49 P.4 1-15
D6315NI-2 / 62.69 P.4 1-15

D7215NI-2 / 73.86 P.4 1-15
D3615LI-2 / 70.48 P.4 1-15
D4815LI-2 / 76.58 P.4 1-15

D6315LI-2 / 60.49 P.4 1-15
D7215LI-2 / 74.54 P.4 1-15

DISTINCTION DIMENSIONS



	A	B	C	D	E	F	G	H	I	J	K	L
D36	51 ⁷ / ₈	17 ³ / ₈	40 ³ / ₄	59 ³ / ₄	37 ⁷ / ₈	17	15 ¹ / ₂	6 ¹ / ₈	2 ³ / ₈	13 ⁵ / ₈	10 ³ / ₈	41
D48	63 ⁷ / ₈	17 ³ / ₈	52 ¹³ / ₁₆	71 ³ / ₄	49 ⁷ / ₈	17	15 ¹ / ₂	6 ¹ / ₈	2 ³ / ₈	13 ⁵ / ₈	10 ³ / ₈	41
D63	72 ⁷ / ₈	16	65 ¹³ / ₁₆	79 ¹ / ₂	63 ¹ / ₁₆	16 ¹ / ₈	14	7	2 ¹ / ₂	6	10 ⁷ / ₈	33 ³ / ₁₆
D72	87 ⁷ / ₈	18 ³ / ₈	76 ³ / ₄	95 ¹ / ₁₆	73 ⁷ / ₈	17	15 ¹ / ₂	5 ¹ / ₂	2 ³ / ₈	13 ⁵ / ₈	10 ³ / ₈	41



MONTIGO / DISTINCTION / D6315 / ICE FIREGLASS



MONTIGO / DISTINCTION / D4815 / ICE FIREGLASS

OPTIONS & FEATURES

REMOTE[†]
RX200**

WALL REMOTE
REC1493

TRIM KIT[†]
DT**

UPLIGHTING[†]
MCLEDDL63

[†]Standard on Distinction units

LINERS

ASH FLUTED
DBK**AF

TUSCAN FLUTED
DBK**TF

BLACK GLASS[†]
RBGD63



Cool Wall Advantage

Diverting heat away from the wall, keeping your TV or artwork safe



TV kits include

Louver

Plenum

Collars

Requires flex venting

TV KIT CODES

36" WALL KIT / HDKPD36

48" WALL KIT / HDKPD48

63" WALL KIT / HDKPD63

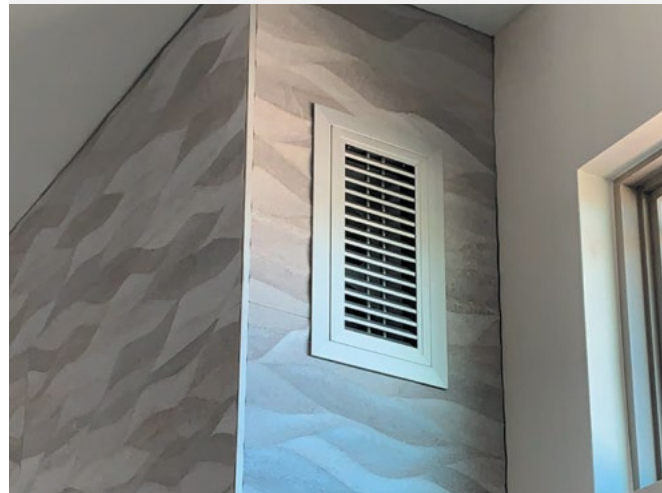
72" WALL KIT / HDKPD72

MONTIGO / COOL WALL ADVANTAGE / SIDEWALL / HORIZONTAL



Cool Wall Advantage TV and sidewall kit plenums are finished with aluminum and are ready to match any interior with your choice of high temperature paint.

MONTIGO / COOL WALL ADVANTAGE / SIDEWALL / VERTICAL



Sidewall kits include

2 Louvers

2 Plenums

Collars

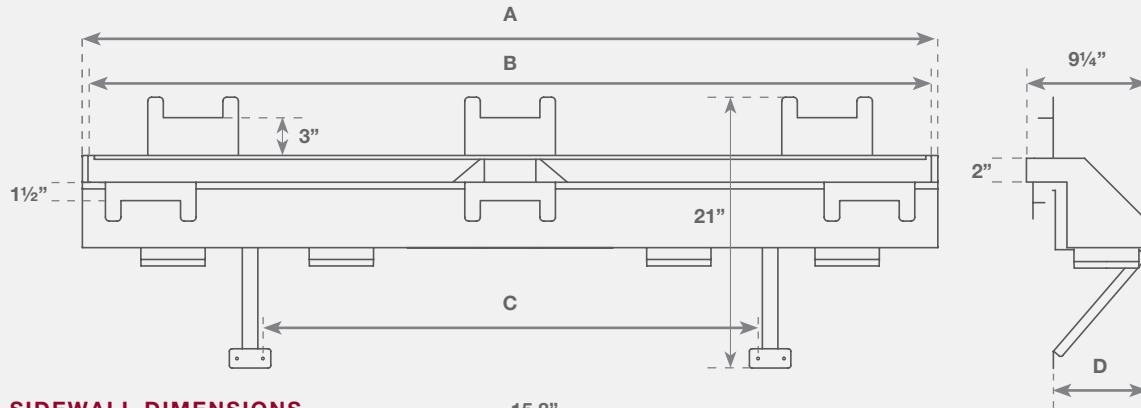
Requires flex venting

SIDEWALL KIT CODES

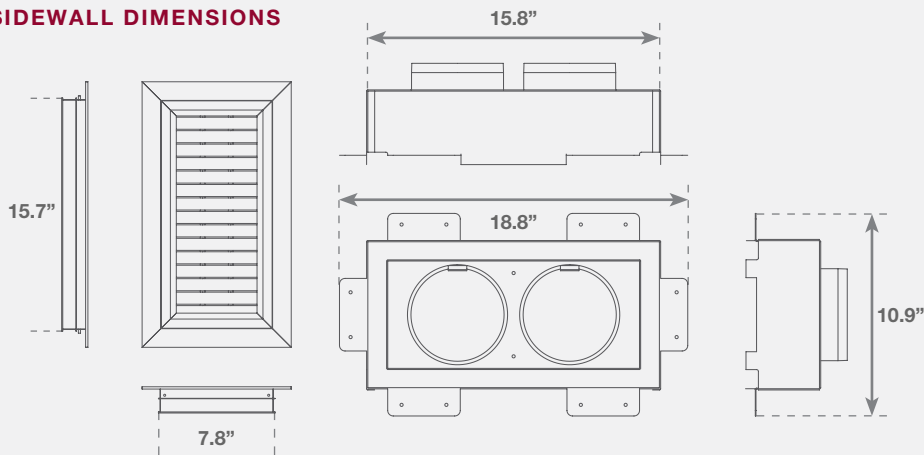
HORIZONTAL WALL KIT / HDKSD

VERTICAL WALL KIT / HDKSDV

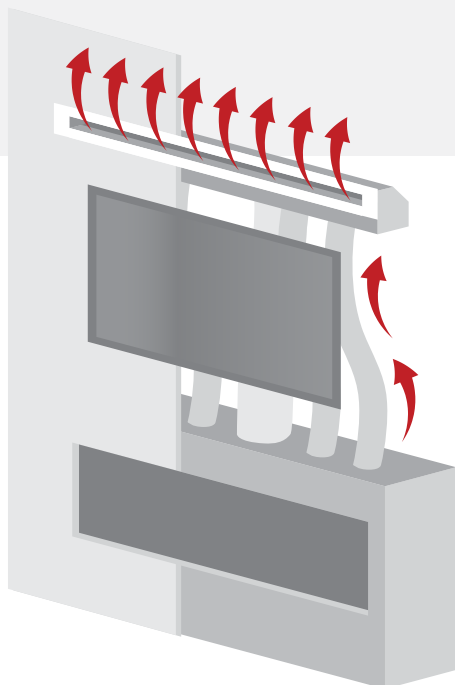
COOL WALL KIT DIMENSIONS



SIDEWALL DIMENSIONS



	A	B	C	D
36" TV Kit	39 ¹⁵ / ₁₆	38 ⁷ / ₈	N/A	7 ¹ / ₁₆
48" TV Kit	51 ⁷ / ₈	50 ⁷ / ₈	30 ¹ / ₂	7 ¹ / ₁₆
63" TV Kit	66 ¹ / ₁₆	65 ¹ / ₁₆	38 ³ / ₁₆	6 ⁵ / ₁₆
72" TV Kit	75 ¹³ / ₁₆	74 ¹³ / ₁₆	39 ⁷ / ₁₆	7 ¹ / ₁₆



190°F / 87°C Heat Vent

Heat is diverted through the Cool Wall Advantage kit, safely bypassing the space above the fireplace.

100°F / 38°C Cool Wall*

Wall temperature is cool, creating an area safer for mounting a TV, or hanging artwork.

550°F / 287°C Glass

Reduced glass temperature, combined with the provided screen creates a safe viewing area.

* 100°F / 38°C temperature taken at 30" above fireplace opening



MONTIGO / COOL WALL ADVANTAGE / TV KIT /

Unit Specifications

Icon Legend

AVAILABLE +

NOT AVAILABLE -

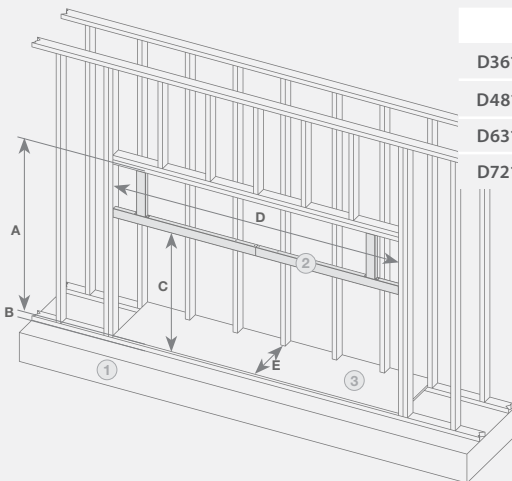
DEDICATED ◊

STANDARD ○

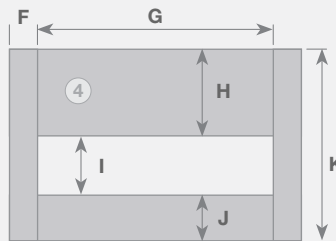
	BTU Natural Gas	BTU Liquid Propane	Gas Supply Pressure NG (shown in w.c.)	Gas Supply Pressure LP (shown in w.c.)	Venting	Clearance Sides	Clearance Back	Clearance Floor	Front viewing area	Front glass type	Standard media	Powervent	Remote control	Fans	Uplighting	Downlighting
D3615*1-2	35,000	35,000	11	13.8	5"/8" ^a	4	1/2	0	36 x 14 ⁷ / ₈	Ceramic	HW1157	+	○	○	○	-
D4815*1-2	40,000	40,000	11	13.8	5"/8" ^a	4	1/2	0	48 x 14 ⁷ / ₈	Borosilicate	HW1157	+	○	○	○	-
D6315*1-2	50,000	50,000	11	13.8	5"/8"	3 ¹ / ₂	2	0	63 ¹ / ₂ x 14	Borosilicate	HW1157	+	○	○	○	-
D7215*1-2	57,000	57,000	11	13.8	5"/8"	4	1/2	0	73 ⁷ / ₈ x 15 ¹ / ₂	Neoceramic	HW1157	+	○	○	○	-
D3615ST*1-2	35,000	35,000	11	13.8	5"/8" ^a	4	1/2	0	36 x 14 ⁷ / ₈	Ceramic	HW1157	+	○	-	○	-
D4815ST*1-2	40,000	40,000	11	13.8	5"/8" ^a	4	1/2	0	48 x 14 ⁷ / ₈	Borosilicate	HW1157	+	○	-	○	-
D6315ST*1-2	50,000	50,000	11	13.8	5"/8"	3 ¹ / ₂	2	0	63 ¹ / ₂ x 14	Borosilicate	HW1157	+	○	-	○	-
D7215ST*1-2	57,000	57,000	11	13.8	5"/8"	4	1/2	0	73 ⁷ / ₈ x 15 ¹ / ₂	Neoceramic	HW1157	+	○	-	○	-

^aCan be reduced to 4"7"

DISTINCTION SINGLE SIDED FRAMING



	A	B	C	D	E	F	G	H	I	J	K
D3615	49 ¹⁵ / ₁₆	2 ¹ / ₄	N/A	59 ³ / ₄	17 ¹ / ₂	10 ⁷ / ₈	40 ⁷ / ₈	24	17 ¹ / ₈	12 ⁹ / ₁₆	53 ¹¹ / ₁₆
D4815	49 ¹⁵ / ₁₆	2 ¹ / ₄	N/A	71 ¹ / ₂	17 ¹ / ₂	10 ⁷ / ₈	52 ⁷ / ₈	24	17 ¹ / ₈	12 ⁹ / ₁₆	53 ¹¹ / ₁₆
D6315	50 ³ / ₈	2 ¹ / ₄	33 ¹¹ / ₁₆	79 ¹ / ₂	18	8 ¹ / ₈	66 ¹ / ₈	24 ⁵ / ₈	16 ¹ / ₂	13	54 ³ / ₈
D7215	59 ³ / ₈	2 ¹ / ₄	41 ¹¹ / ₁₆	95 ³ / ₄	18 ¹ / ₂	10 ⁷ / ₈	76 ⁷ / ₈	33 ¹ / ₁₆	17 ¹ / ₈	12 ⁹ / ₁₆	63 ³ / ₈

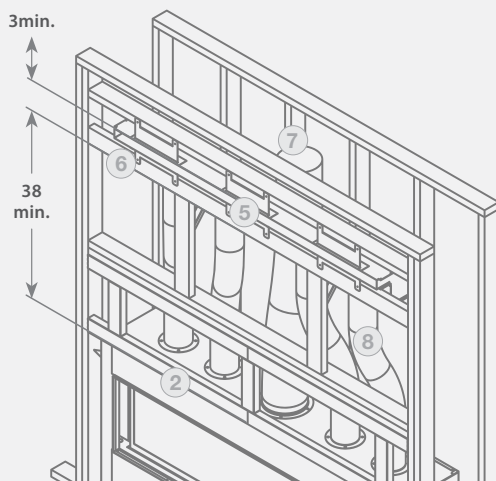


DISTINCTION ST FRAMING

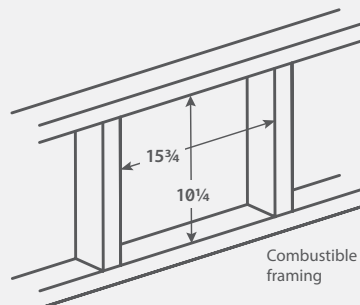
Use single sided framing chart except for dimension "E". this measurement is from edge to edge of the platform.

	E
D3615ST	17 ¹¹ / ₁₆
D4815ST	17 ¹¹ / ₁₆
D6315ST	18 ⁷ / ₁₆
D7215ST	17 ¹¹ / ₁₆

COOL WALL ADVANTAGE FRAMING



COOL WALL ADVANTAGE SIDEWALL FRAMING



Dimensions are the same for both horizontal and vertical sidewall kits

36" size features 2 venting holes

Legend

1	Floor structure
2	Non-combustible metal framing (not used on 36, 48)
3	Fireplace platform
4	Concrete board
5	Cool Wall Advantage opening
6	2x4 on edge
7	Main vent
8	5" venting

See through versions include two sets of non combustible framing and concrete board.

36" and 48" version does not include non combustible framing kit

Chase venting is needed for safe operation of the unit, see instruction manual for detailed instructions

Minimum distance from unit base to ceiling is 89"