



**Superior**  
FIREPLACES®  
*Our name is our promise.*

The DRL3500 Series linear direct vent gas fireplace offers a modern, low profile design that is just right for contemporary and transitional spaces. Its sleek opening provides an exceptional view of the gently dancing flames while floor lighting allows you to customize the mood. The DRL3500 Series is a fully featured fireplace that comes complete with a heat-circulating blower and multi-function remote for the ultimate in comfort and control.



**FEATURED** DRL3545 shown with platinum crushed glass media and optional black porcelain liner

## STANDARD FEATURES

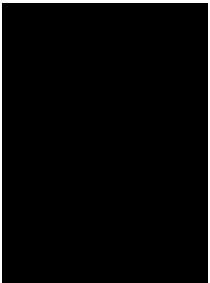
- 🔥 Available in a 35" and 45" linear configured models
- 🔥 Electronic ignition with battery backup provides continued operation in the event of a power outage
- 🔥 Clean-face design with integrated tile stops for easy finishing
- 🔥 Decorative surrounds available to compliment drywall finished applications
- 🔥 Outstanding heating efficiency for increased comfort and lower operating costs
- 🔥 Standard tempered glass and a protective screen\*
- 🔥 Black painted interior standard (optional porcelain liner available)
- 🔥 Platinum crushed glass media included with several optional colors available to customize the look
- 🔥 Optional driftwood logs and river rocks are a perfect addition for a transitional design
- 🔥 Mood enhancing floor lighting with six distinctive settings
- 🔥 Factory installed blower with six speed settings to fine tune your heating needs
- 🔥 Multi-function remote control included (IPI/CPI, thermostat, flame height, blower, lighting)
- 🔥 20 year limited warranty

\*All applicable models comply with ANSI Z21.88 barrier requirements.



**FEATURED** DRL3545 with platinum crushed glass media optional black porcelain liner

## INTERIOR



Black Painted Liner  
(Standard)



Black Porcelain Liner  
(Optional)

## DECORATIVE SURROUNDS



Black Surround



Stainless Surround

## MEDIA



Platinum Crushed  
Glass (Standard)



Reflective Black  
Crushed Glass



Reflective Blue  
Crushed Glass



Copper Crushed  
Glass

## ACCESSORIES



High-Definition  
Driftwood Log Set  
for 35" Models



High-Definition  
Driftwood Log Set  
for 45" Models



River Rock Assorted  
Set

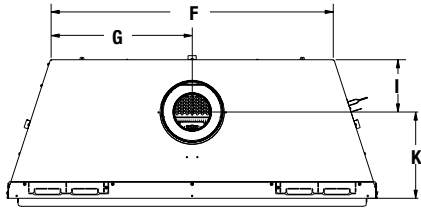
## REMOTE (INCLUDED)



ProFlame II Remote

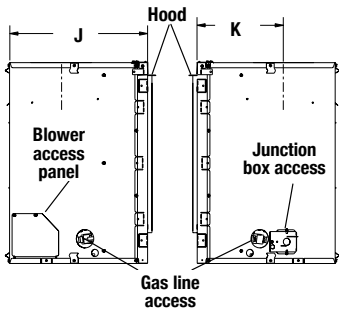
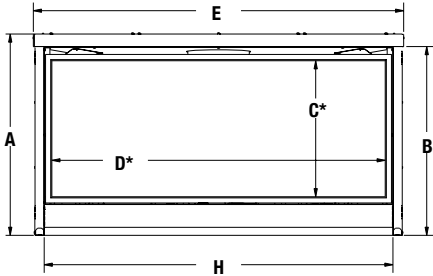
- Manual On/Off and Smart Thermostat Modes
- 6 Flame Modulation Settings
- 6 Blower Control Settings
- 6 Interior Illumination Settings

## APPLIANCE SPECIFICATIONS



\* C and D are viewing area dimensions

FRONT VIEW



LEFT SIDE VIEW

RIGHT SIDE VIEW

	DRL3535	DRL3545
A	24-3/4"	24-3/4"
B	23-1/4"	23-1/4"
C	16-3/4"	16-3/4"
D	31"	41"
E	35-1/2"	45-1/2"
F	24-3/4"	34-3/4"
G	12-3/8"	17-3/8"
H	32-7/8"	42-7/8"
I	6-1/2"	6-1/2"
J	17"	17"
K	10-5/8"	10-5/8"

## FIREPLACE BTU OPERATING RANGE

MODEL	FUEL	BTU/HR	AFUE	P4
DRL3535	NG	18,000-12,000	69.2	65.1
DRL3545	NG	23,000-16,000	66.9	62.4

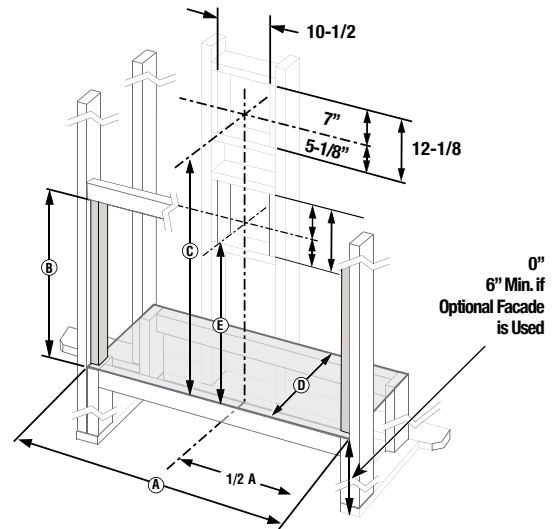
### IMPORTANT NOTES:

As with any fireplace, this appliance is extremely hot during operation. Read and understand all operating instructions before using this appliance. For further information, consult your dealer. Local conditions, such as elevation and choice of fuel will affect overall appearance of the fire and heating performance. Performance can also vary with home design and insulation, ceiling height, accessories chosen and appliance location. Diagrams, illustrations and photographs are not to scale — consult installation instructions. Product designs, materials, dimensions, specifications, colors and prices are subject to change or discontinuance without notice.



© 2019 Innovative Hearth Products  
785727M 08/19

## FRAMING SPECIFICATIONS



MODEL	A	B	C	D	E
DRL3535	35-7/8"	29"	42"	18"	31-1/2"
DRL3545	45-7/8"	29"	42"	18"	31-1/2"

C = Height for installations with 12" section directly off unit then elbow

D = for flush framing.

E = Height for installations with elbow directly off unit (see note below)

\* Minimum opening size; additional 1/8" per side is recommended.

NOTE: Framing specifications do NOT apply for flexible venting. When using flexible venting, refer to the kit requirements for framing specifications.

NOTE: It is strongly recommended to install at least 1 ft of vertical rise directly off top of unit.

NOTE: Framing construction to be 2 x 4, or larger.

Refer to Installation Manual for all required clearances to combustibles.

**On the Cover:** DRL3545 fireplace with platinum crushed glass media, optional black porcelain liner, driftwood logs, and river rocks

Visit us online  
SuperiorFireplaces.us.com

