

Firescreen Decorative Front

Models: FS-3-BK, FS-5-BK, FS-7-BK, FS-7BV-BK, FS-9-BK, FS-7-BK-AU

- Installation Instructions -



Leave this manual with party responsible for use and operation.

CAUTION! Risk of Cuts, Abrasions or Flying Debris. Wear protective gloves and safety glasses during installation. Sheet metal edges are sharp.

3. Verify that the glass assembly is centered (left to right) within the fireplace opening.
4. Remove the two screws that fasten the hood to the side columns of the firescreen decorative front. Set the hood in a safe place where it will not be damaged while the decorative front is being installed on the appliance.

DANGER

HOT GLASS WILL CAUSE BURNS.

DO NOT TOUCH GLASS UNTIL COOLED.

NEVER ALLOW CHILDREN TO TOUCH GLASS.

A barrier designed to reduce the risk of burns from the hot viewing glass is provided with this appliance and must be installed for the protection of children and other at-risk individuals.

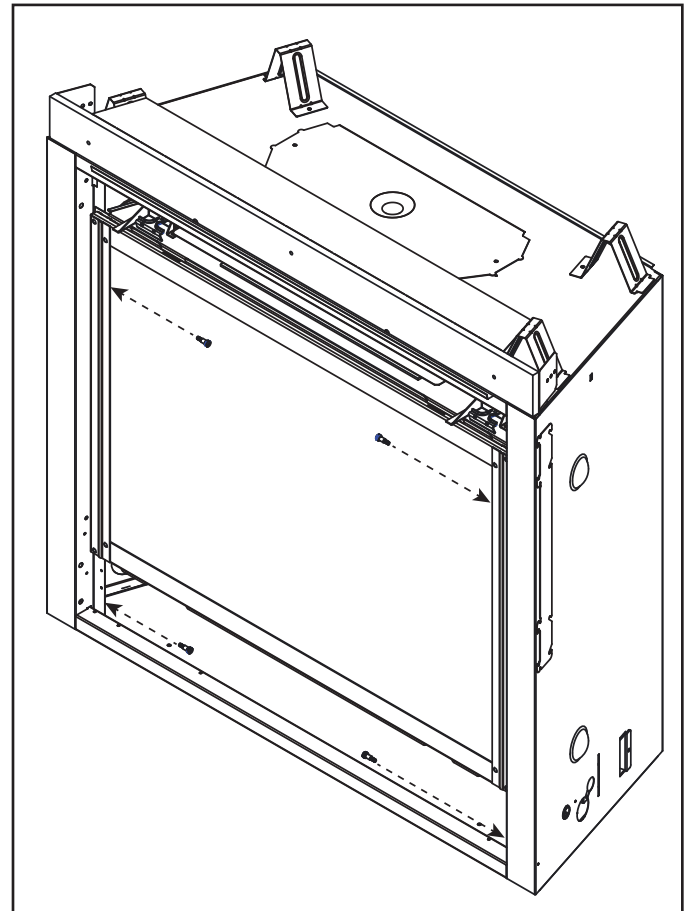


Figure 1. Shoulder Bolt Locations

WARNING! Risk of Fire! Combustible materials **MUST NOT** overlap or be placed behind a decorative front.

CAUTION! Do not install damaged components.

Note: For use with the Fusion (SL-5F, SL-7F) models, discard hood included with the FS-5-BK and FS-7-BK and use the hood that originally shipped with the appliance. Hood clips are already installed on the appliance.

1. Remove all materials from the packaging.
2. Install the black shoulder bolts into the threaded inserts located in the fireplace surround. See Figure 1. Install four shoulder bolts on FS-3, FS-5, FS-7, FS-7BV and FS-9 appliances. Install two shoulder bolts on FS-7-BK-AU front only. Do not install lower shoulder bolts for this front. The FS-7-BK-AU front uses separate magnet brackets on the bottom that are included with the appliance.

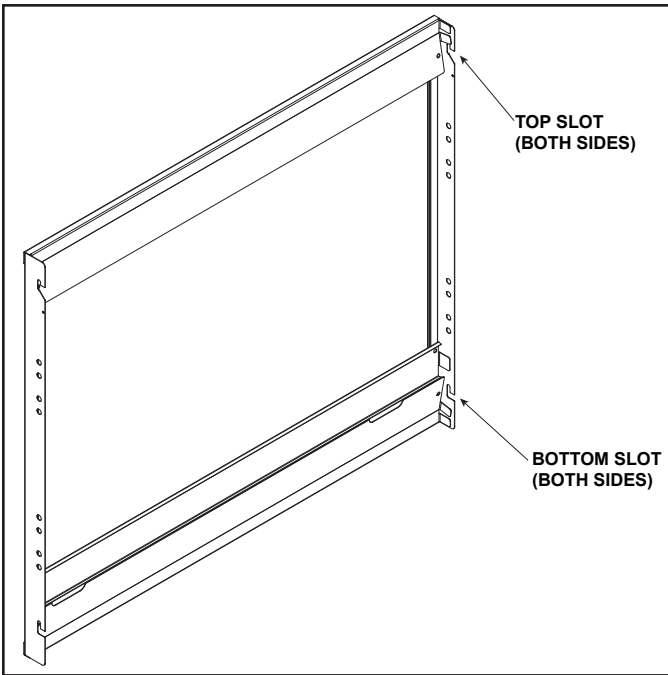


Figure 2. Firescreen Decorative Front

FS-3, FS-5, FS-7, FS-7BV, FS-9 ONLY

5. Align the bottom slots on the decorative front with the bottom shoulder bolts and set the front onto the bottom shoulder bolts. Tilt the decorative front towards the fireplace until it contacts the top shoulder bolts. Once the decorative front contacts the top shoulder bolts, lift up slightly and push decorative front toward fireplace until slots and bolts are engaged. Release the decorative front. The decorative front now hangs on the top two shoulder bolts.

FS-7-BK-AU ONLY

Hang decorative front from top slots on upper mounted shoulder bolts. Swing front down until it contacts magnets installed on appliance.

- 6. Ensure the decorative front is properly attached and securely positioned on the appliance.
- 7. Install the hood by inserting the oval holes on the hood into the hood clips inside the appliance near the top. Push the hood into the clips until it can go no further. See Figure 3. See the properly installed hood in Figure 4.

Cleaning Instructions for Decorative Fronts

Use a microfiber cloth and Windex® Original Glass Cleaner or 03M003 Stove Bright® Glass Cleaner to clean the decorative front immediately after installation to remove acids deposited by the installer or technician. Spray the cleaner onto the microfiber cloth and carefully wipe the entire surface. The decorative front should be cleaned in this manner annually by the homeowner to remove fingerprints or other contaminants. Once oxidation of the paint pigment has occurred, cleaning will not restore the original color.

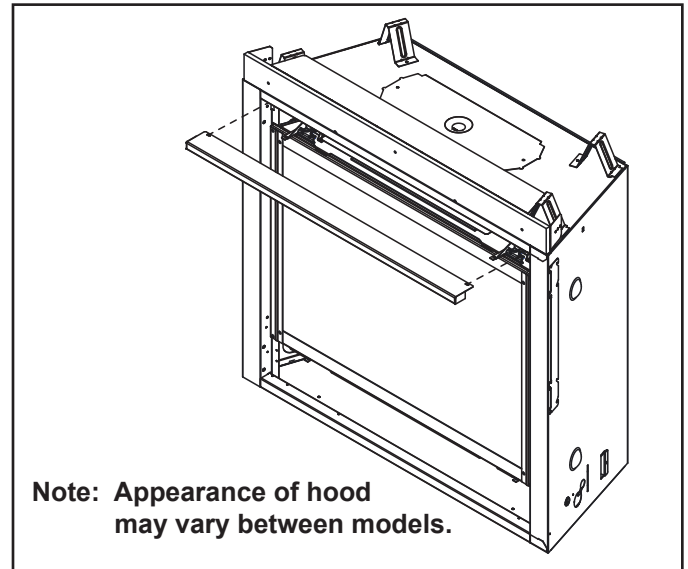


Figure 3. Install Hood

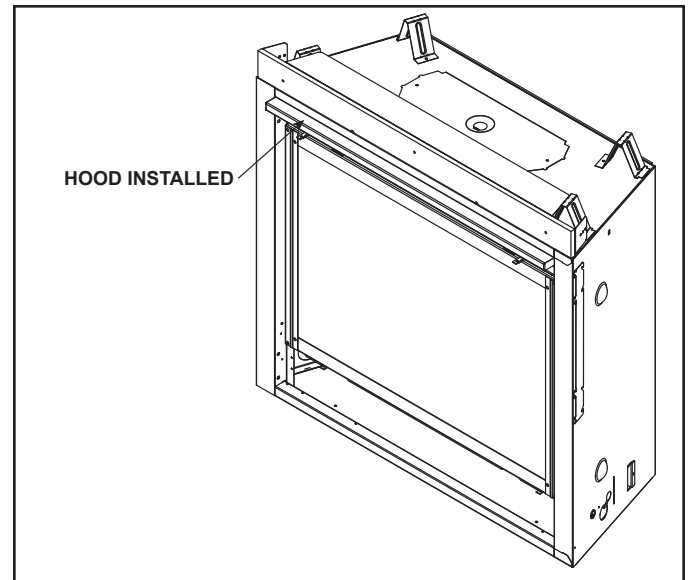


Figure 4. Hood Installed

SERVICE PARTS LIST

Front	Description	Part Number
FS-3-BK	Square Hood	2370-274
FS-5-BK	Square Hood	2371-274
FS-7-BK	Square Hood	2372-274
FS-7BV-BK	Square Hood	2372-274
FS-9-BK	Square Hood	2373-274

Please contact your Heat & Glo dealer with any questions or concerns.
 For the location of your nearest Heat & Glo dealer, please visit www.heatnglo.com.
 Heat & Glo, a brand of Hearth & Home Technologies
 7571 215th Street West, Lakeville, MN 55044
www.heatnglo.com