



DIVINE
MULTI SIDED

SPECIFICATIONS AND FEATURES

**DIVINE CL/CR
CONTEMPORARY**

**DIVINE CL/CR
TRADITIONAL**

H38CL/CR

Corner
Direct vent

Standard

Contemporary burner with
Ice fireglass

Remote Hi-Lo flame control

Multi-function
remote control

Battery backup

Options

Glass media

Wall remote

Standard

Traditional burner
and logset

Heritage brick liner

Wrought iron grate

Remote Hi-Lo flame control

Multi-function
remote control

Battery backup

Options

Wall remote

QUICK DIMENSIONS

H38CL/CR		
	UNIT	FRAM.
F.WIDTH	43 ³ / ₁₆	42
B.WIDTH	28 ¹ / ₈	42
HEIGHT	41 ¹ / ₁₆	46 ¹ / ₂
DEPTH	20 ³ / ₈	21 ¹ / ₈
VIEWING	39 ¹ / ₂ × 28 ³ / ₄	

BTU LISTING

H38C*NI-2 / 34,000 BTU
H38C*LI-2 / 32,000 BTU

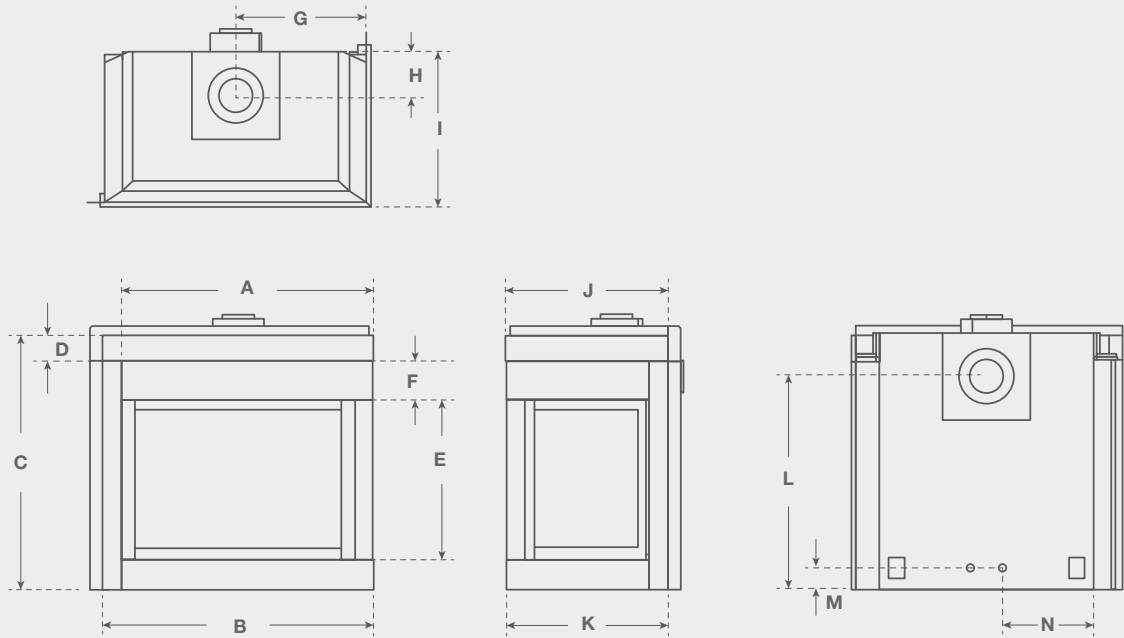
HL38C*NI-2 / 34,000 BTU
HL38C*LI-2 / 32,000 BTU

EFFICIENCY

H38C*NI-2 / FE 58.5
H38C*LI-2 / FE 58.5

HL38C*NI-2 / FE 58.5
HL38C*LI-2 / FE 58.5

DIVINE CL/CR DIMENSIONS



	A	B	C	D	E	F	G	H	I	J	K	L	M	N
H38C*	39 ³ / ₁₆	42 ³ / ₁₆	39 ⁵ / ₈	4	24 ¹³ / ₁₆	6	20 ³ / ₈	7	24 ¹ / ₄	25 ³ / ₈	22 ¹ / ₄	33 ¹ / ₄	3 ³ / ₁₆	14 ³ / ₁₆

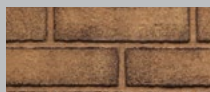
MONTIGO / DIVINE / HL38CRNI-2 / EBONY FIREBEADS



REMOTE^Δ
RX200**



WALL REMOTE
REC1493



HERITAGE[†]

^Δ Standard on all corner units
[†] Standard on H38C**I-2

Unit Specifications

Icon Legend

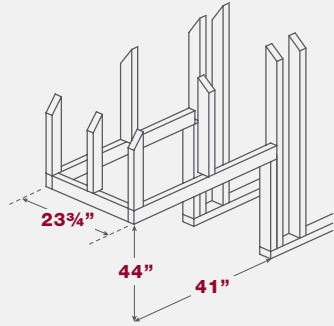
AVAILABLE +

NOT AVAILABLE -

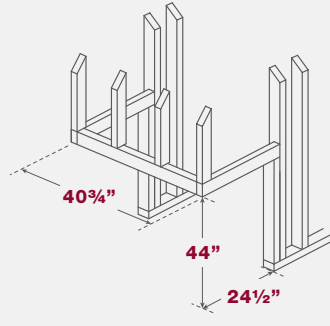
DEDICATED ◊

STANDARD ○

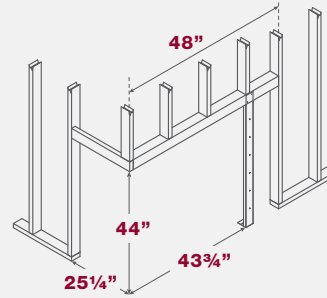
PIER FRAMING



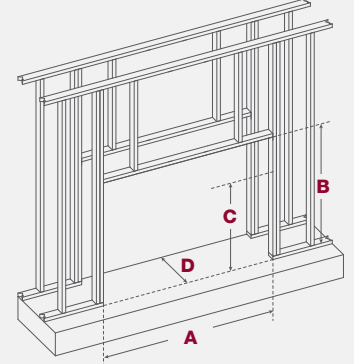
BAY FRAMING



CORNER FRAMING



SEE THROUGH FRAMING



NON COMBUSTIBLE STUD INCLUDED WITH UNIT

Approximate dimensions to center. For best results mount noncombustible stud onto unit, then bolt to 2x4 header and floor.

	A	B	C	D
H38FSD	40 3/4"	42 1/2"	N/A	23 3/4"
H42FSD	45"	49 1/2"	46 1/2"	24"

NON COMBUSTIBLE STUD INCLUDED WITH UNIT - NOT NEEDED FOR H38FSD

	BTU Natural Gas	BTU Liquid Propane	Venting	Clearance Top - Rear vent	Clearance Top - Top vent	Clearance Sides	Clearance Back	Clearance Floor	Front viewing area	Front glass type	Standard media	Invisimesh	Powervent	Remote control	Fans	Uplighting	Downlighting
H38FSD*	34,000	32,000	5"/8"	9	17 1/2	1	2	0	35 3/4 x 26 3/8	Tempered	Traditional	○	+	+	+	-	-
H38FSD*1	34,000	32,000	5"/8"	9	17 1/2	1	2	0	35 3/4 x 26 3/8	Tempered	Traditional	○	+	+	+	-	-
H42FSD*	37,000	37,000	5"/8"	9	17 1/2	1	2	0	39 3/8 x 30 3/8	Tempered	Traditional	○	+	+	+	-	-
H42FSD*1	37,000	37,000	5"/8"	9	17 1/2	1	1	0	39 3/8 x 30 3/8	Tempered	Traditional	○	+	+	+	-	-
H38PF*1-2	34,000	32,000	5"/8"	9	17 1/2	1	1	0	32 1/8 x 21 5/8	Tempered	Traditional	○	+	○	-	-	-
HL38PF*1-2	34,000	32,000	5"/8"	9	17 1/2	1	1	0	32 1/8 x 21 5/8	Tempered	HW1157	○	+	○	-	-	-
H38PR*1-2	34,000	32,000	5"/8"	9	17 1/2	1	1	0	32 1/8 x 24 3/4	Tempered	Traditional	○	+	○	-	-	-
HL38PR*1-2	34,000	32,000	5"/8"	9	17 1/2	1	1	0	32 1/8 x 24 3/4	Tempered	HW1157	○	+	○	-	-	-
H38CL*1-2	34,000	32,000	5"/8"	9	17 1/2	1	1	0	32 1/8 x 24 3/4	Tempered	Traditional	○	+	○	-	-	-
HL38CL*1-2	34,000	32,000	5"/8"	9	17 1/2	1	1	0	32 1/8 x 24 3/4	Tempered	HW1157	○	+	○	-	-	-
H38CR*1-2	34,000	32,000	5"/8"	9	17 1/2	1	1	0	32 1/8 x 24 3/4	Tempered	Traditional	○	+	○	-	-	-
HL38CR*1-2	34,000	32,000	5"/8"	9	17 1/2	1	1	0	32 1/8 x 24 3/4	Tempered	HW1157	○	+	○	-	-	-