

Lanai Trim Kit

Installation Instructions

Model: ODLANAIG-60CFT or ODLANAIG-48CFT
 For use with ODLANAIG-48/60, ODLANAIG-48-ST

Before You Start

This accessory trim kit is designed to be used on the lanai outdoor gas fireplace. This kit will allow finishing materials to be used over the face of the appliance up to the edge of the firebox opening. read these instructions completely before beginning installation. It is recommended that the installation of this trim kit be done before the unit is installed.

KIT CONTENTS:

Stainless Drill Bit.....	One (1)
Top Trim.....	One (1)
Bottom Trim.....	One (1)
Side Trims.....	Two (2)
Placement Template.....	One(1)
Screws.....	Sixteen (16)

TOOLS REQUIRED

- Phillips screwdriver
- Power Drill
- Marker

CAUTION!

Allow gas appliance to cool completely before attempting to install trim kit.

Installation Instructions

1. Arrange trim parts on a clean non-damaging surface for inspection and account for all pieces within kit and peel protective coating.
2. Use templates to locate the end screws for the top bottom and side trim pieces.
3. Mark all locations (8 total) and drill with supplied drill bit. See Figure 1.
4. Install top, bottom, and sides using supplied screws at ends of each piece. After all parts are in place, the trim pieces can be used to locate all remaining fastener locations. Mark and drill with supplied drill bit then use supplied fasteners to complete installation. See Figure 2

Note: The hem on the side and bottom pieces of trim should be installed towards the outside of the firebox opening. The lip of the top trim piece should be installed towards the opening and out.

Figure 1. Drill corner holes using provided template

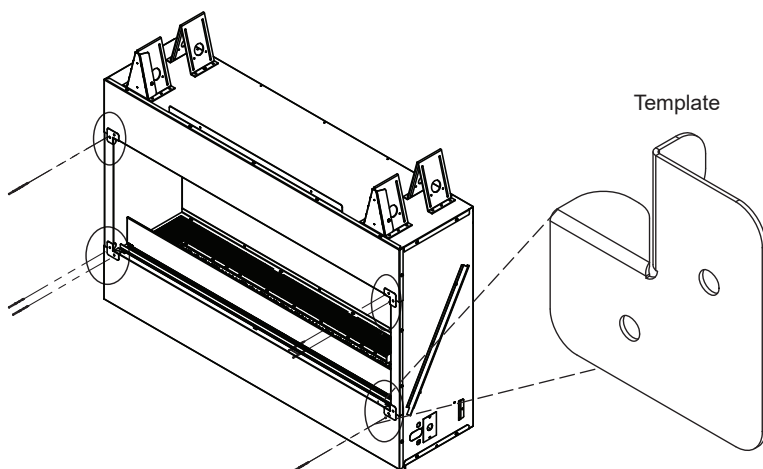


Figure 2. Install The top bottom and side trims

