

# CAROL ROSE

• COASTAL COLLECTION •  
by Empire Comfort Systems



Traditional and Linear Outdoor Product Guide

Outdoor

## OUTDOOR FIREPLACES, FIREBOXES & BURNERS

The light from a fireplace extends the season for the outdoor living space you worked so hard to create.

Our Carol Rose Coastal Collection includes two unique styles of outdoor fireplaces – traditional and linear – plus fireboxes that let you create your own system with a traditional log set and burner or a contemporary burner. With so many choices you are sure to find a fireplace that adds a perfect glow to your outdoor lifestyle.

All our outdoor hearth products feature stainless steel for all exterior surfaces to provide lasting beauty. Ask your dealer about products and services to keep your fireplace looking great for years – including stainless steel cleaner, weather doors, and annual service agreements.

These products are designed for outdoor installation only. For installation on a covered deck or porch, at least two sides of the enclosure must remain open at all times. Like any outdoor fire, these systems provide ambiance, light and just a touch of warmth.



*Carol Rose Coastal Collection  
36-inch Outdoor Stainless Steel  
Traditional Premium Fireplace  
with Outdoor Wildwood  
Refractory Log Set in a  
custom surround*



## *Carol Rose*

These special outdoor products are named for customer service manager Carol Rose Burtz, who has been with Empire since 1959. As the first time we have named a product for an employee, this represents an appropriate honor recognizing Carol's exceptional history with the company.

Carol Rose Coastal Collection  
36-inch Outdoor Stainless Steel  
Traditional Premium Fireplace  
with 24-inch Outdoor Wildwood  
Refractory Log Set in a custom  
surround



## *traditional* OUTDOOR TRADITIONAL FIREPLACES

This traditional fireplace features an all-stainless exterior. Inside the fireplace, a special stainless steel version of our popular Harmony burner lights up the night with 50,000 BTUs. The standard refractory liner and the required refractory Wildwood Log Set provide thermal mass to help minimize temperature fluctuations for your guests.

Both the 36-inch fireplace and the 42-inch are rated at 50,000 BTUs, and both have their valve and controls concealed beneath the fireplace floor.

Choose Millivolt or IP, both available in Propane or Natural Gas.

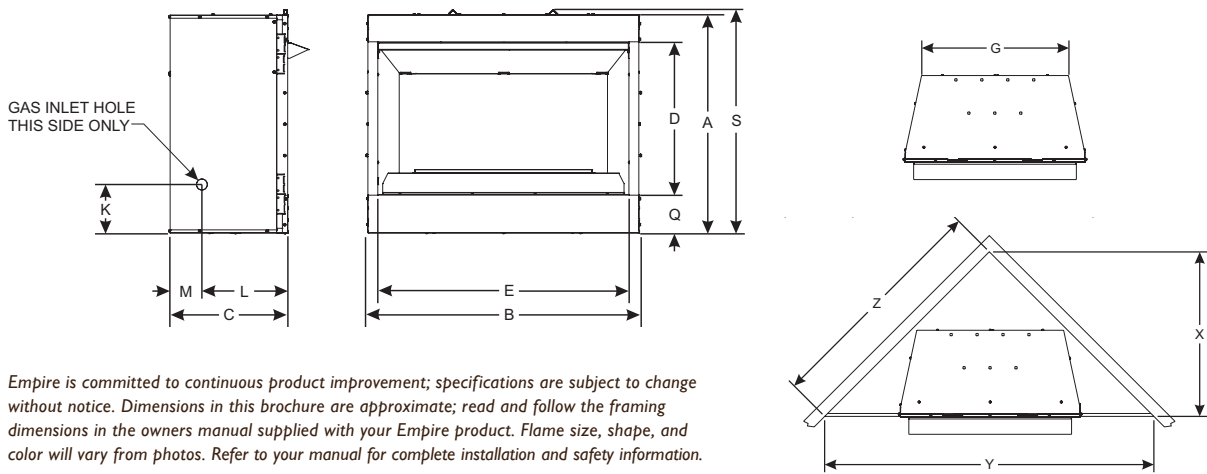
# OUTDOOR FIREPLACE SPECIFICATIONS

Outdoor Fireplace includes two metal studs and noncombustible backer board. Additional materials may be required for installation.

Model	Framing Height				Framing Width				Framing Depth			
<b>OP36FP</b>	36				41				19 1/4			
<b>OP42FP</b>	36				45				19 1/4			

Model	A	B	C	D	E	G	K	L	M	Q	S	X	Y	Z
<b>OP36FP</b>	35 1/16	40	19	24 1/4	36	31 7/8	2 7/8	10 3/8	8 9/16	6 3/16	35 3/16	34 11/16	69 5/16	49 1/16
<b>OP42FP</b>	35 1/16	44	19	24 1/4	40	35 7/8	2 7/8	10 3/8	8 9/16	6 3/16	35 3/16	36 3/4	73 5/16	51 15/16



Empire is committed to continuous product improvement; specifications are subject to change without notice. Dimensions in this brochure are approximate; read and follow the framing dimensions in the owners manual supplied with your Empire product. Flame size, shape, and color will vary from photos. Refer to your manual for complete installation and safety information.



Carol Rose Coastal Collection  
36-inch Outdoor Stainless Steel  
Traditional Premium Fireplace  
with 24-inch Outdoor Wildwood  
Refractory Log Set in a custom  
surround

# linear

## OUTDOOR LINEAR FIREPLACES

Stainless steel construction, an integrated LED lighting system, and a 55,000 BTUs burner ensure that Empire's 48-inch Outdoor Linear Fireplace will light up your patio party for any occasion. Or choose the 60-inch with 65,000 BTUs burner.

An exciting addition to the Carol Rose Coastal Collection of outdoor fireplaces, these single sided and see-through models conceal a gas burner beneath a large bed of clear-frost crushed glass (required; sold separately). While the flames dance atop the bed of glass, the lighting system illuminates the glass from beneath. A glass deflector shield helps protect the flame from wind. (Optional taller deflectors are available for fireplaces installed in windier locations.)

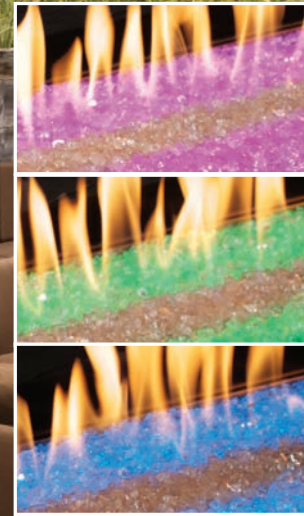
A tilt-up cover conceals all controls – including pushbutton ignition and flame control knob with Hi, Medium and Low – plus intuitive buttons to control the changing pattern and color of the LED lighting. The buttons let you select from seven LED colors – Deep Blue, Royal Violet, Cardinal Red, Sea Green, Forest Green, Tranquil Blue, and White – and vary the intensity. Two program settings cycle through the colors automatically.

*Carol Rose Coastal Collection  
48-inch Outdoor Stainless Steel  
Linear See-Through Fireplace*





Carol Rose Coastal Collection  
48-inch Outdoor Stainless Steel  
Linear Fireplace



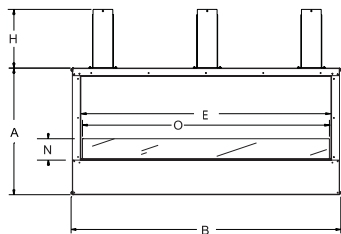
Multi-color LED Lighting System

## OUTDOOR LINEAR FIREPLACE SPECIFICATIONS

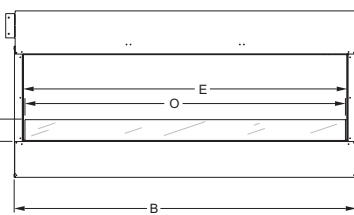
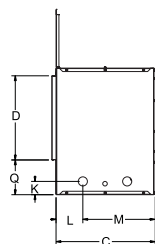
Outdoor Linear Fireplace includes two metal studs and noncombustible backer board. Additional materials may be required for installation.

Model	Framing Height	Framing Width	Framing Depth
<b>OLL48FP</b>	40 13/16	52	19 1/16
<b>OLL48SP</b>	40 13/16	52	22 5/16
<b>OLL60FP</b>	31	64	19 1/8
<b>OLL60SP</b>	31	64	22 1/2

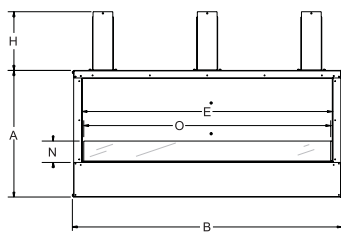
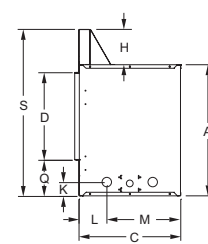
Model	A	B	C	D	E	F	G	H	I	J	K	L	M	N	O	P	Q
<b>OLL48FP</b>	24 5/16	51 3/4	19 1/16	16 3/16	48	19	51 3/4	6 1/2	N/A	N/A	2 9/16	5 3/16	13 21/32	3 1/2	47 3/8	N/A	6 11/16
<b>OLL48SP</b>	24 5/16	51 3/4	22 5/16	16 3/16	48	22 9/32	51 3/4	6 1/2	N/A	N/A	2 9/16	5 3/16	N/A	3 1/2	47 3/8	N/A	6 11/16
<b>OLL60FP</b>	24 1/2	63 3/4	19 1/8	16 3/16	60	19	60	6 1/2	N/A	N/A	2 9/16	5 3/16	13 21/32	3 1/2	59 3/8	N/A	6 11/16
<b>OLL60SP</b>	24 1/2	63 3/4	22 1/2	16 3/16	60	23 7/8	60	6 1/2	N/A	N/A	2 9/16	5 3/16	N/A	3 1/2	59 3/8	N/A	6 11/16



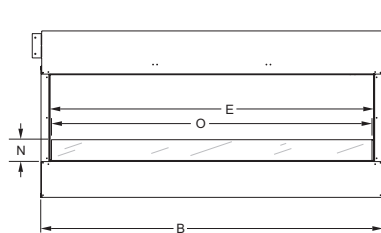
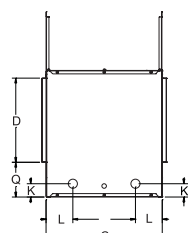
Single-Sided 48-inch Fireplace



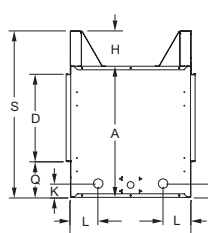
Single-Sided 60-inch Fireplace



See-Through 48-inch Fireplace



See-Through 60-inch Fireplace



Empire is committed to continuous product improvement; specifications are subject to change without notice. Dimensions in this brochure are approximate; read and follow the framing dimensions in the owners manual supplied with your Empire product. Flame size, shape, and color will vary from photos. Refer to your manual for complete installation and safety information.

# fireboxes

## OUTDOOR FIREBOXES & BURNERS

Think of our outdoor firebox as the canvas that lets you create your ideal fireplace. Built using the same rugged construction as our fireplaces, the outdoor firebox is a ventless design that's certified for use with an outdoor burner.

The optional stainless steel drain pan is available to help control and re-direct any moisture that collects beneath the fireplace. Protect your fireplace with the available weather doors.



*Carol Rose Coastal Collection 36-inch Outdoor Stainless Steel Traditional Premium Fireplace with 24-inch Outdoor Wildwood Refractory Log Set in a custom surround.*



*Bi-Fold Doors with Stainless Steel Frame*



*Stainless Steel Cover*



*Stainless Steel Drain Pan*



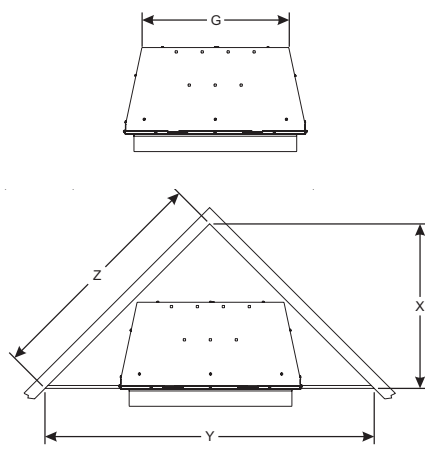
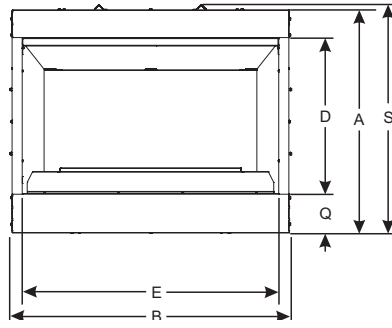
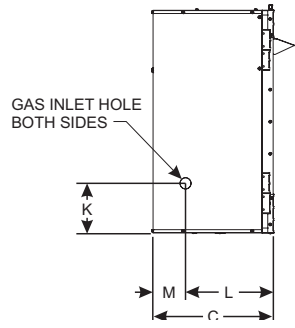
# OUTDOOR FIREBOX SPECIFICATIONS

Outdoor Firebox includes two metal studs and noncombustible backer board. Additional materials may be required for installation.

Model	Framing Height		Framing Width		Framing Depth	
<b>OP36FB</b>	36		41		19 1/4	
<b>OP42FB</b>	36		45		19 1/4	

Model	A	B	C	D	E	G	K	L	M	Q	S	X	Y	Z
<b>OP36FB</b>	35 1/16	40	19	24 1/4	36	31 7/8	8 11/16	14	4 3/4	6 3/16	35 3/16	34 11/16	69 5/16	49 1/16
<b>OP42FB</b>	35 1/16	44	19	24 1/4	40	35 7/8	8 11/16	14	4 3/4	6 3/16	35 3/16	36 3/4	73 5/16	51 15/16



Empire is committed to continuous product improvement; specifications are subject to change without notice. Dimensions in this brochure are approximate; read and follow the framing dimensions in the owners manual supplied with your Empire product. Flame size, shape, and color will vary from photos. Refer to your manual for complete installation and safety information.

## LOG SETS, OPTIONS & ACCESSORIES

Model	Description
<b>OLX24WR</b>	Outdoor Wildwood Refractory Log Set, 7-piece, 24-inch
<b>OLX30WR</b>	Outdoor Wildwood Refractory Log Set, 7-piece, 30-inch
<b>BD36SS</b>	Bi-Fold Glass Door, 36-inch, Stainless Steel Frame
<b>BD42SS</b>	Bi-Fold Glass Door, 42-inch, Stainless Steel Frame
<b>DT36SS</b>	Drain Tray, 36-inch, Stainless Steel Frame
<b>DT42SS</b>	Drain Tray, 42-inch, Stainless Steel Frame
<b>WD36SS</b>	Weather Door, 36-inch, Stainless Steel
<b>WD42SS</b>	Weather Door, 42-inch, Stainless Steel



## TRADITIONAL BURNER & WILDWOOD REFRACTORY LOG SET

Our outdoor burners allow you to convert your existing outdoor fireplace into a convenient gas system. The result? You spend more of your time entertaining friends and family in your outdoor living space, and less time trying to maintain a wood fire.

The Carol Rose Coastal Collection includes the Wildwood Refractory Log Set designed specifically for outdoor use with our Harmony Stainless Steel Burner.

Both the 24-inch burner and the 30-inch are rated at 50,000 BTUs to generate plenty of flames to complement the massive concrete log sets.

These special burners feature internal baffles to induce movement in the flames for an exceptionally natural looking fire. Choose Millivolt or Intermittent Pilot.

Available in Propane or Natural Gas, these burners are designed for installation in an outdoor fireplace or firebox only.



## TRADITIONAL BURNER SPECIFICATIONS

Model	Description	BTUs Input	Minimum Firebox Dimensions in Inches			
			Front Width	Rear Width	Depth	Height
<b>ONR24</b>	24-inch Outdoor Harmony Burner, Millivolt	50,000	34	27	18	22
<b>ONI24</b>	24-inch Outdoor Harmony Burner, IP	50,000	34	27	18	22
<b>ONR30</b>	30-inch Outdoor Harmony Burner, Millivolt	50,000	36	30	18	22
<b>ONI30</b>	30-inch Outdoor Harmony Burner, IP	50,000	36	30	18	22

# CONTEMPORARY BURNERS

Our contemporary burner completes your modern outdoor décor. With stainless steel top and linear burner, these attractive, modern systems deliver up to 40,000 BTUs – plenty of fire to light up your outdoor event.

This freestanding linear burner provides a modern twist on the outdoor fireplace – creating ambiance and light.

Available in IP only – in Propane or Natural Gas. These burners are designed for installation in an outdoor fireplace or firebox only



## CONTEMPORARY BURNER SPECIFICATIONS

Model	Description	Minimum Firebox Dimensions in Inches			
		Front Width	Rear Width	Depth	Height
<b>OLI24</b>	24-inch Outdoor Loft Burner, IP	34	27	18	18
<b>OLI30</b>	30-inch Outdoor Loft Burner, IP	36	30	18	18

*Empire is committed to continuous product improvement; specifications are subject to change without notice. Dimensions in this brochure are approximate; read and follow the framing dimensions in the owners manual supplied with your Empire product. Flame size, shape, and color will vary from photos. Refer to your manual for complete installation and safety information.*

# Controls

## FIREPLACE CONTROLS

Our Millivolt systems (available on traditional fireplaces) include a standing pilot – to light easily and operate without electric power – ideal for outdoor installations where power is not readily available. Millivolt systems will operate with an optional remote or wall switch. Available on Traditional Outdoor Fireplaces and Log Sets only.

Our Intermittent Pilot System (IP) fits your eco-friendly outdoor lifestyle by eliminating the standing pilot to save energy and reduce emissions. IP systems include an on/off, high/low remote control. Available on Tradition and Contemporary Fireplaces and Burners only. Remote controls offered for use with see-through outdoor systems are not weatherproof and must be protected from sun and moisture.

Outdoor Linear Fireplaces feature a manual, three-position gas valve and pushbutton ignition. The burner is concealed beneath a bed of crushed glass.

The E-Stop Timer allows you to set an automatic shut-off time while using your outdoor fireplace. Choose the 1-hour timer or the 1-1/2 hour timer. E-Stop Timers can be purchased separately, or add the stainless steel timer compartment for a complete kit.

Model	Description
<b>GT060</b>	E-Stop Gas Timer, Shuts Off Gas Supply after 1 to 60 minutes
<b>GT150</b>	E-Stop Gas Timer, Shuts Off Gas Supply after 1 to 150 minutes
<b>GTCSS</b>	E-Stop Timer Compartment, Stainless Steel



*E-Stop Timer in Stainless Steel Timer Compartment, shown as complete kit*

**Warranty:** All outdoor products carry a 5-year limited warranty. All remote controls and lighting systems carry a 1-year limited warranty.

Empire is committed to continuous product improvement; specifications are subject to change without notice. Dimensions in this brochure are approximate; read and follow the framing dimensions in the owners manual supplied with your Empire product. Flame size, shape, and color will vary from photos.

Member of the following industry associations:



This appliance is design-certified to the ANSI standard by:



SINCE 1932

Empire Comfort Systems  
918 Freeburg Ave.  
Belleville, IL 62220-2623  
E-mail: [info@empirecomfort.com](mailto:info@empirecomfort.com)  
00899 08/23/19

The Empire Comfort Systems name and logos are registered U.S. trademarks.