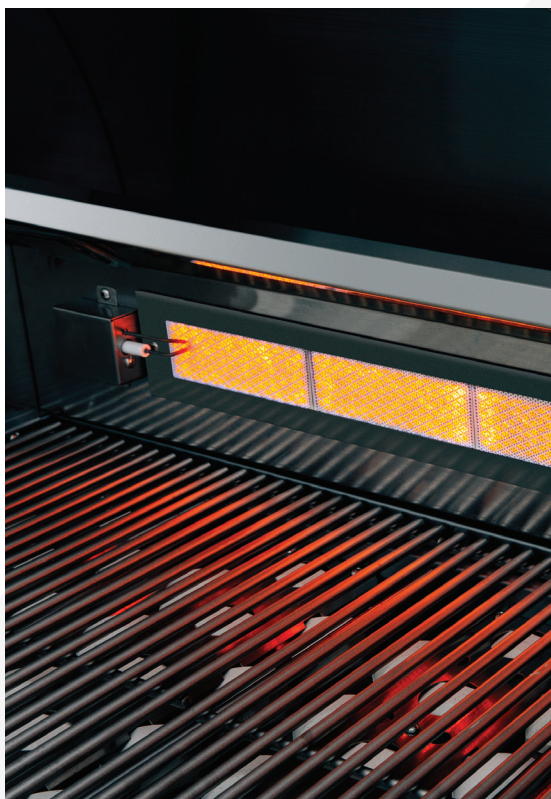
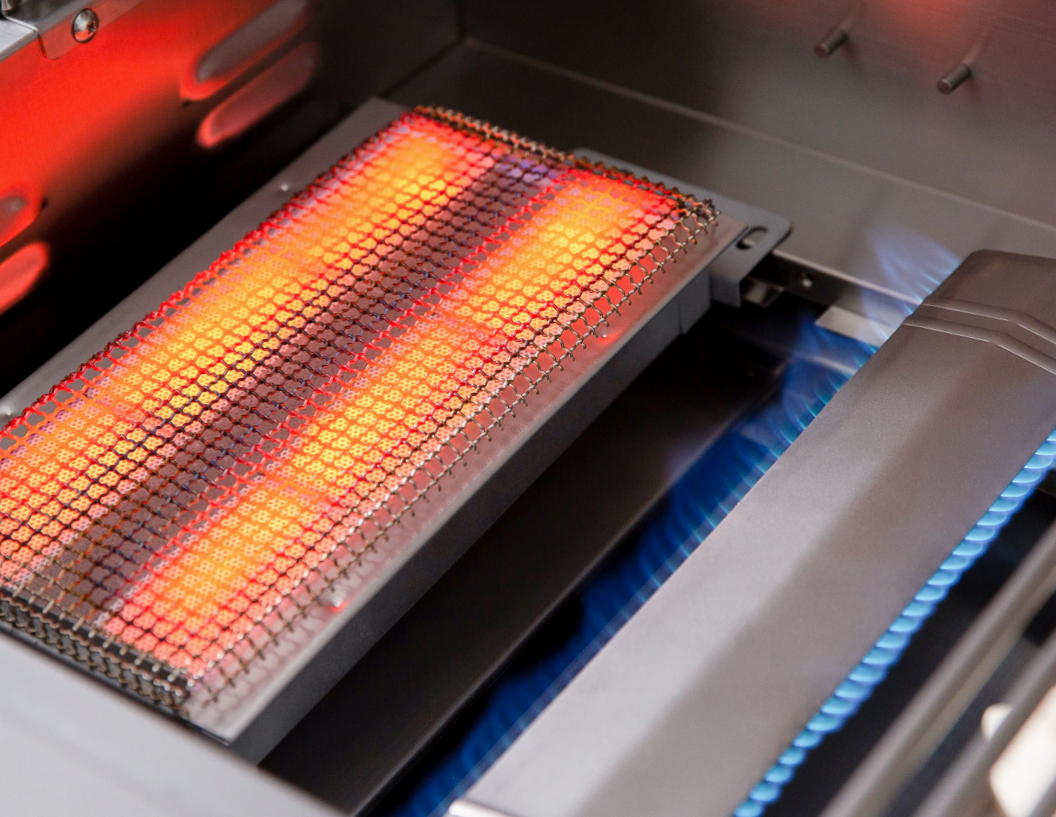




# SUMMERSET

---

SIZZLER PRO MANUAL



# SIZZLER PRO INSTALLATION INSTRUCTIONS & OWNER'S MANUAL

---

**NAME:** SIZZLER PRO 32" SIZZLER PRO 40"  
**PART #:** SIZPRO32 SIZPRO40

Natural gas & liquid propane configurations

## THANK YOU

---

Thank you for your purchase. We'd like to welcome you to the Summerset family of luxury outdoor kitchen products and look forward to being a part your home for years to come. As a family business with over 30 years of industry experience, we aim to deliver exceptional quality and personal service. Welcome to the Summerset family and we hope you love your new grill!

## FOR YOUR RECORDS

---

Please record the following information and refer to it when contacting Summerset Professional Grills or an authorized dealer. The serial number is located on the rating plate. The rating plate is located on the exterior basin of the grill (fire box) and on the underneath side of the drip tray (select models only).



**For warranty information and to register your grill visit, [Summersetgrills.com/register/sizzlerpro](https://www.summersetgrills.com/register/sizzlerpro)**

To view on your phone, scan the QR code on your smart phone's camera app. (For Android devices, use Google Lens.)

## INSTALLER:

---

Please leave this manual for the owner

Serial Number: \_\_\_\_\_

Model: \_\_\_\_\_

Date of Purchase: \_\_\_\_\_

Place of Purchase: \_\_\_\_\_

## **WARNING!**

**READ THIS MANUAL CAREFULLY AND COMPLETELY BEFORE USING YOUR GRILL TO REDUCE THE RISK OF:**

Fire, Burn hazard, personal injury or property damage. Improper installation or servicing Electric Shock

## **WARNING!**

**THIS PRODUCT IS DESIGNED FOR OUTDOOR USE ONLY**

Improper installation, adjustment, alteration, service or maintenance can cause property damage, injury or death. Read this manual thoroughly before installation, use, or servicing of this product.

## **WARNING!**

**CODE AND SUPPLY REQUIREMENTS:**

This grill must be installed in accordance with local codes and ordinances, or, in the absence of local codes, with the latest National Fuel Gas Code (ANSI Z223.1/ NFPA 54), or Natural Gas and Propane Storage and Handling Installation Code (CSA-B149.1)

## **DANGER!**

**IF YOU SMELL GAS:**

Improper installation, adjustment, alteration, service or maintenance can cause property damage, injury or death. Read this manual thoroughly before installation, use, or servicing of this product.

## **DANGER!**

**IF YOU SMELL GAS:**

Shut off all gas supply lines to the grill  
Extinguish any open flames  
Carefully open the lid. Remember, it may be extremely hot!  
If odor continues, keep everyone away from the grill and immediately call your gas supplier or your fire department

## **WARNING!**

**CALIFORNIA PROPOSITION 65**

This product can expose you to chemicals including Chromium which is known to the State of California to cause cancer and birth defects or other reproductive harm. California law requires businesses to warn customers of potential exposure to such substances. To minimize exposure to the substances, always operate this unit according to the use and care instructions found in this manual. Be certain to provide adequate ventilation when cooking.

## **WARNING!**

**EXPLOSION HAZARD:**

**DO NOT** use the grill as a storage area for flammable materials. Keep area clear and free from combustible materials, gasoline, and other flammable vapors and liquids. Failure to do so can result in death, explosion, or fire

An LP cylinder not connect for use shall not be stored in the vicinity of this or any other appliance

## **WARNING!**

- The outdoor cooking gas appliance and its dedicated shutoff valve must be disconnected from the gas supply piping system during pressure testing of that system at test pressures in excess of .5 psi (3.5kPa).
- The outdoor cooking gas appliance must be isolated from the gas supply piping system by closing its dedicated manual shutoff valve during any pressure testing of the gas supply piping system at test pressures equal to or less than .5 psi (3.5kPa).

## **WARNING!**

**STATE OF MASSACHUSETTS**

- Massachusetts requires all gas be installed using a plumber or gas fitter carrying the appropriate Massachusetts license.
- All permanently-installed natural gas or propane installations require a "T" handle type manual gas valve be installed in the gas supply line to this appliance.
- This does not apply to portable propane installations using a 20 pound cylinder.

# **WARNING!**

## **SAFETY AND INSTALLATION WARNINGS**

- Please read all instructions before installation or operating your gas grill to prevent injury and appliance damage
- All gas grills will get hot during use. Use extreme caution when operating the grill
- Do not touch hot surfaces. Always use the handle to open or close the grill
- Never use dented, rusty or damaged propane cylinders. Never store additional or empty propane cylinders in the grill cabinet or in the vicinity of this or any other appliance
- Close supervision is necessary when this or any appliance is used near children. Keep children away from the grill during operation and until the grill has cooled off
- Children should never be left alone or unattended in an area where a grill is located. Place your grill well away from areas where children play. Do not store items that may interest children in or around the grill, in the cart, or in the masonry enclosure
- Never move the grill when hot. When in use, portions of the grill are hot enough to cause severe burns.
- Always maintain the required clearances from combustibles as detailed. The grill is designed for outdoor use only. Never use in a garage, building, shed, breezeway, or other enclosed area. Do not use this grill under any unprotected overhead combustible construction
- Gas grills are not designed or certified for and are not to be installed in or on recreational vehicles, portable trailers, boats or any other moving installation
- Always have an ABC Fire Extinguisher accessible — never attempt to extinguish a grease fire with water or other liquids.
- Storing your grill: Store your grill in a well-ventilated area. If stored indoors, detach and leave L.P. cylinder outdoors in a well-ventilated area away from heat and away from where children may tamper with it
- Keep any electrical supply cord and the fuel supply hose away from any heated surfaces. Electrical cords should be placed away from walkways to avoid tripping hazard
- Do not repair or replace any part of the grill unless specifically recommended in this manual. Other service should be performed by a qualified technician
- If the grill is installed by a professional installer or technician, be sure that he/she shows you where your gas supply shut-off is located. All gas lines must have a shut-off that is readily and easily accessible. If you smell gas, check for gas leaks immediately. Check only with a soap and water solution. Never check for gas leaks with an open flame.
- Do not twist the gas supply hose
- Inspect the L.P. gas supply hose prior to each use of the grill. If there is evidence of excessive abrasion or wear, or the hose is cut, it must be replaced before using the grill
- The use of accessories, regulators, or components not recommend by the appliance manufacturer may cause injuries and will void warranty
- Never light the grill with the hood closed and be certain the burners are positioned and seated over the gas valves and on the burner support
- Never lean over the cooking surface when lighting or operating the grill
- Use barbecue tools with wood handles and insulated oven mitts when operating the grill
- Be sure the gas supplied to the grill conforms to the model you purchased. A natural gas grill requires natural gas to operate; a liquid propane grill requires liquid propane to operate
- Never connect the appliance to an unregulated gas supply line. Grills operated without a regulator are unsafe and will not be serviced until installed properly and safely. Unsafe operation without a gas regulator will void the warranty
- Grills operating with natural gas must be installed with the NG regulator supplied with the unit and set to 4.0" of water column pressure
- Grills operating with liquid propane must be installed with an LP regulator and set to 11" of water column pressure





# SUMMERSET

## TABLE OF CONTENTS

---

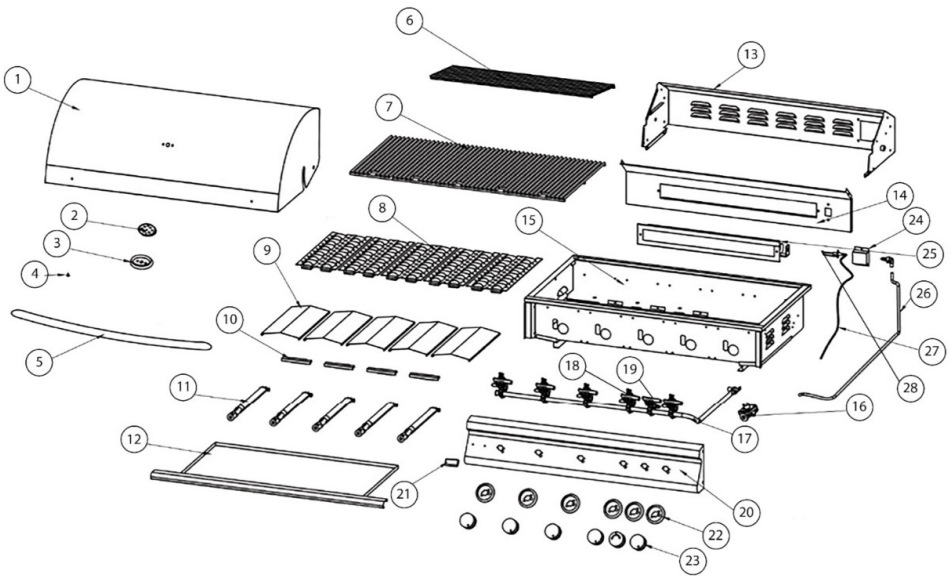
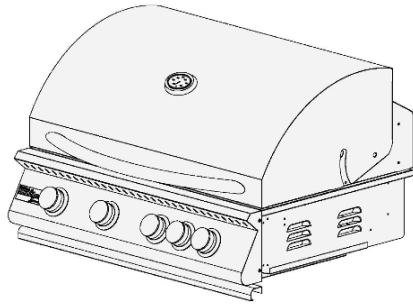
Replacement Parts List	1
Exploded View	2
Before Grilling	3
Installation	4
Gas Requirements	6
Lighting The Grill	9
Maintenance Tips	9
Grill Features	11
Warranty	12

# REPLACEMENT PARTS LIST

Item	Description	Sizzler 26"	Qty	Sizzler 32"	Qty	Sizzler 40"	Qty
1	TOP HOOD	HOOD-SIZ26	1	HOOD-SIZ32	1	HOOD-SIZ30	1
2	TEMPERATURE GAUGE	TEMP	1	TEMP	1	TEMP	1
3	TEMPERATURE GAUGE BEZEL	TEMP BZL	1	TEMP BZL	1	TEMP BZL	1
4	HOOD BUMPER	HOODBUMP-SS	2	HOODBUMP-SS	2	HOODBUMP-SS	2
5	HOOD HANDLE	HOODHAND-SIZ26	1	HOODHAND-SIZ32	1	HOODHAND-SIZ40	1
6	WARMING RACK	WARM-SIZ26	1	WARM-SIZ32	1	WARM-SIZ40	1
7	MAIN COOKING GRATE	GRATE-SIZ	3	GRATE-SIZ	4	GRATE-SIZ	5
8	BURNER COVERS/BRIQUETTE TRAYS	BRNCOV-SIZ	3	BRNCOV-SIZ	4	BRNCOV-SIZ	5
9	HEAT SHIELDS	HEAT SHIELD-SIZ	3	HEAT SHIELD-SIZ	4	HEAT SHIELD-SIZ	5
10	CROSS TUBES	CROSS TUBE-SIZ	2	CROSS-SIZ	3	CROSS TUBE-SIZ	4
11	MAIN BURNERS	TUBE-SIZ	3	TUBE-SIZ	4	TUBE-SIZ	5
12	DRIP TRAY	DRIP-SIZ26	1	DRIP-SIZ32	1	DRIP-SIZ40	1
13	REAR HOOD - A	REAR HOOD-SIZ26	1	REAR HOOD-SIZ32	1	REAR HOOD-SIZ40	1
14	REAR HOOD - B (COMES WITH 13)						
15	BASIN/FIRE BOX	BASIN-SIZ26	1	BASIN-SIZ32	1	BASIN-SIZ40	1
16	NATURAL GAS REGULATOR (NG SETUP ONLY)	REG-SIZ-NG	1	REG-SIZ-NG	1	REG-SIZ-NG	1
17	MANIFOLD	MAN-SIZ26	1	MAN-SIZ32	1	MAN-SIZ40	1
18	MAIN VALVES	MV-SIZ-(NG OR LP)	3	MV-SIZ-(NG OR LP)	4	MV-SIZ-(NG OR LP)	5
19	BACK BURNER VALVE/ROTISSERIE VALVE	N/A	0	BBV-SIZ	1	BBV-SIZ	1
20	FRONT PANEL	FRONT-SIZ26	1	FRONT-SIZ32	1	FRONT-SIZ40	1
21	LOGO PLATE/ LOGO BADGE	LOGO PLATE-SIZ	1	LOGO PLATE-SIZ	1	LOGO PLATE-SIZ	1
22	KNOB BEZEL	KNOB BEZEL SIZ	3	KNOB BEZEL SIZ	5	KNOB BEZEL SIZ	6
23	KNOB	KNOB-SIZ	3	KNOB SIZ	5	KNOB SIZ	6
24	BACK BURNER ELECTRODE COVER	N/A	0	BBE-COV-SIZ	1	BBE-COV-SIZ	1
25	ROTISSERIE BURNER/IR BACK BURNER	N/A	0	IR-BACKBRN-SIZ32	1	IR-BACKBRN-SIZ40	1
26	FLEXIBLE BACK BURNER GAS LINE	N/A	0	FLEX TUBE-BB-SIZ32	1	FLEX TUBE-BB-SIZ40	1
27	BACK BURNER WIRE	N/A	0	BBW-SIZ32	1	BBW-SIZ40	1
28	BACK BURNER ELECTRODE	N/A	0	BBE-SIZ	1	BBE-SIZ	1



# EXPLODED VIEW



## BEFORE GRILLING

---

### SHIPMENT ARRIVING DAMAGED:

#### VISIBLE DAMAGE

If your shipment arrives with visible damage to the box/carton, be sure the damage is noted on the bill of freight or express receipt and signed by the person making the delivery. File claim for damages immediately, regardless of the extent of damage.

#### CONCEALED DAMAGES

If damages are unnoticed until the grill is unpacked, notify the transportation company or carrier immediately and file a concealed damage claim with them. This should be done within (5) days of the delivery date. Be sure to hold on to the box/carton for inspection. We cannot assume responsibility for damage or loss incurred in transit.

#### TESTING FOR LEAKS

Create a soapy water solution of 1 part soap and 3 parts water. Confirm that all control knobs are in the off position. Turn on the fuel supply. For natural gas, turn the valve handle  $\frac{1}{4}$  turn to align with the gas flow. For LP, turn the cylinder valve counter clockwise one full rotation. Apply the soap solution generously by paint brush or squirt bottle on all connections and fittings. If bubble appear to grow on any of the connections, you have a gas leak. IMMEDIATELY turn off the gas supply. Wash off the soapy solution with cold water and dry. Tighten the loose joint or replace the faulty part with manufacturer-recommended replacement parts. DO NOT attempt to repair the L.P. cylinder valve if it is damaged. The only way to safely resolve a damaged cylinder is to replace it by calling an authorized gas appliance service technician or an LP gas dealer. Repeat the leak test to ensure that no leaks are present. Do not use the appliance until the leak is corrected.

### IMPORTANT NOTES:

#### BE MINDFUL OF WIND DIRECTION

When selecting a suitable location, consider important factors such as exposure to the wind and foot traffic patterns. If you have a freestanding grill, position it so the prevailing wind blows into the front control panel (at your back when grilling), allowing for proper front to rear airflow. Built-in grill located in areas with prevailing winds should be protected by a wind barrier, wind deflector, or wind guard. The grill is designed to pull in air from the front and exhaust through the rear of the unit. Winds hitting the back of the grill directly may cause problems. Be sure wind doesn't blow into the hood gap.

#### GAS LINE LENGTH

Keep all gas supply lines as short as possible. Gas lines lose pressure over distance and with each elbow or "t" fitting added. This drop in pressure affects grill performance.

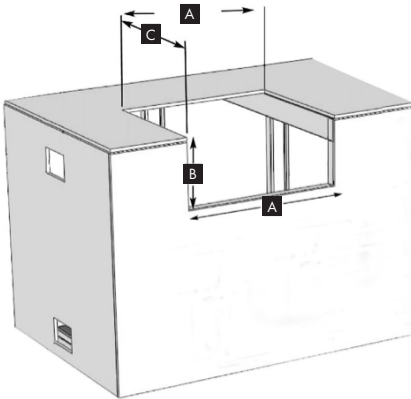
#### PROPER LEVELING

**PROPER LEVELING DURING INSTALLATION IS CRITICAL. A GRILL THAT IS OUT OF LEVEL WILL CAUSE ERRATIC BURNER COMBUSTION AND INEFFICIENT, UNEVEN HEATING. THE GRILL SHOULD BE LEVEL IN ALL DIRECTIONS. ADJUSTMENTS MAY NEED TO BE MADE EACH TIME WHEN MOVING A FREESTANDING UNIT.**

#### CONSTRUCTION ZONES

Keep all stainless steel products away from construction zones. Construction debris such as (but not limited to) stone dust, stucco, and lime dust could damage or permanently discolor stainless steel products. Keep all caustic chemicals including chlorine and pool cleaning products away from stainless steel at all times.

# INSTALLATION



## CUT OUT DIMENSIONS

Grill Model	A: Width	B: Depth	C: Height
Sizzler Pro 32"	30 ½	20 ¾	8 ½
Sizzler Pro 40"	38	20 ¾	8 ½

## OVERALL PRODUCT DIMENSIONS

Grill Model	A: Width	B: Depth	C: Height	Height-Hood Open
Sizzler 32"	32 ½	25 ¾	20	30
Sizzler 40"	39 ½	25 ¾	20	30

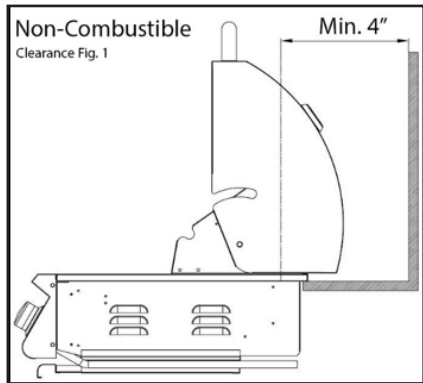
**ALL BBQ ISLANDS MUST BE MANUFACTURED FROM "NON COMBUSTIBLE" MATERIAL. IF COMBUSTIBLE MATERIAL IS BEING USED, A SUMMERSET GRILL LINER IS REQUIRED.**

### NOTE:

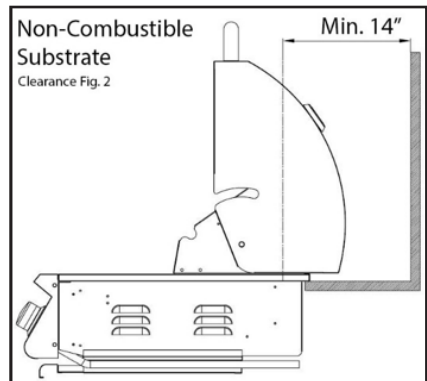
For the minimum clearances between the grill and any side or rear walls, your setup must fall within one (or more) of the following:

### IMPORTANT NOTES:

Clearance between grill and strictly non-combustible wall (i.e. brick wall, Clearance Fig. 1). The grill must have a minimum of 4" right, left and rear clearance from any non-combustible wall. This allows for proper ventilation and helps prevent dangerous overheating.



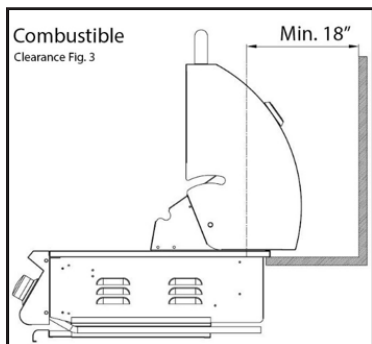
**Clearance between grill and protected combustible wall** (i.e. a non-combustible wall in front of a combustible wall to serve as a barrier. This can be accomplished by brick or a metal stud finished with non-combustible substrate. Clearance Fig. 2). The grill must have a minimum of 14" right, left and rear clearance from the protected combustible wall. (The 4" non-combustible material clearance, plus an additional 10" clearance between the grill and protected wall.)



# INSTALLATION

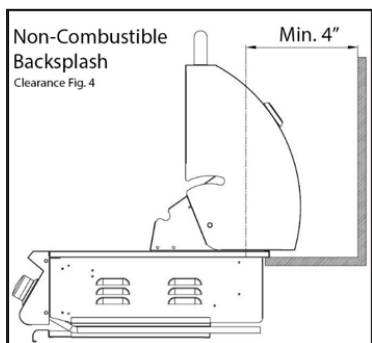
## SIDE AND REAR WALL CLEARANCES

Clearance between grill and combustible wall (Clearance Fig. 3). The grill must have a minimum of 18" right, left and rear clearance from any combustible wall.



## BACK SPLASH CLEARANCE (IF APPLICABLE)

If a non-combustible backsplash exists, it must have a minimum of a 4" clearance from the rear of the grill (to allow for proper ventilation and help prevent dangerous overheating. Clearance Fig. 4).



## IMPORTANT NOTES:

This 4" backsplash clearance must first be met prior to any non-combustible walls beginning behind it.

## OVERHEAD CONSTRUCTION AND EXHAUST HOOD REQUIREMENTS

This grill is designed for outdoor use only. DO NOT use this grill inside a building, garage, or enclosed area. DO NOT use this grill in or on a

recreational vehicle or boat.

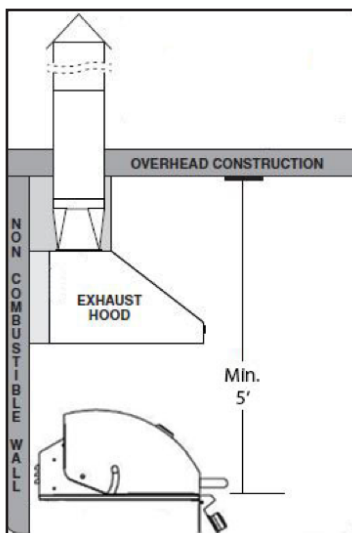
When installing this grill in a combustible surround, a Summerset insulating jacket/grill liner must be used.

A minimum five (5) foot clearance is required between the counter-top and the overhead construction.

When installed under combustible overhead construction, the area above the cooking surface of the grill must be covered with an exhaust hood. The exhaust hood provides the protection for the combustible overhead construction.

## IMPORTANT NOTES:

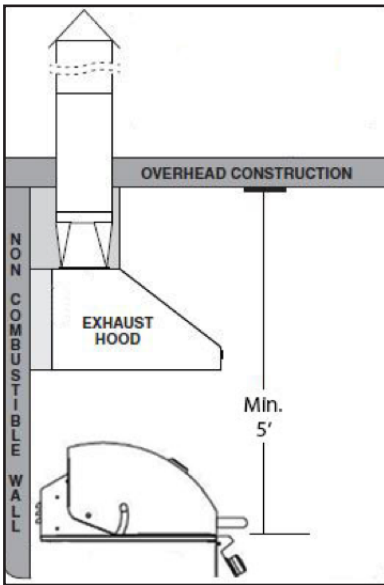
- **DO NOT** use this appliance under **unprotected** combustible overhead construction.
- When installed under overhead non-combustible construction, an exhaust hood is highly recommended.



## EXHAUST HOOD REQUIREMENTS

When using an exhaust hood, the area above the cooking surface of the grill must be covered with a hood larger than the cooking area of the grill, AND with a minimum of 1200 CFM (cubic feet per minute) for proper outdoor application

# INSTALLATION / GAS REQUIREMENTS



**Combustible Overhead Construction:** Exhaust hood required.

**Non-Combustible Overhead Construction:** Exhaust hood is highly recommended.

## UNPACKING YOUR GRILL

Included with your Sizzler Pro grill are the following loose items:

**Cooking Grates:** SIZPR032(4), SIZPR032(5)

**Burner Covers:** SIZPR032(4), SIZPR032(5)

**Warming Rack:** SIZPR032(1), SIZPR032(1)

**Drip Tray:** SIZPR032(1), SIZPR032(1)

**Heat Zone Separators:** SIZPR032(3), SIZPR032(4)

**Rotisserie Kit:** SIZPR032(1), SIZPR032(1)

## Conversion Kit:

- Set of orifices
- If grill is factory set LP, NG orifices will be included
- If grill is factory set NG, LP orifices will be included
- The drip tray will be at the bottom of the unit and will slide into the drip tray support brackets.
- Above the heat shields are the Red Brass Burners (already installed).

The burner covers or briquette trays are above the burners and attach to the mounting pegs located inside the firebox.

The cooking grates are placed above the burner covers and finally the warming rack is placed on the mounting tabs

## GAS REQUIREMENTS

### **WARNING!**

#### **GAS LINES**

Never connect a gas line directly to the grill. A pressure regulator must be installed on all gas equipment. Removing or failing to install the pressure regulator can result in fire and serious personal injury and will void the warranty

#### **NATURAL GAS AND LIQUID PROPANE REQUIREMENTS**

When using an exhaust hood, the area above the cooking surface of the grill must be covered with a hood larger than the cooking area of the grill, AND with a minimum of 1200 CFM (cubic feet per minute) for proper outdoor application

#### **MINIMUM PRESSURE REQUIREMENTS**

Ensure the gas supplied meets the minimum pressure requirements. See below table for gas requirements measure in water column (w.c.) pressure:

Gas Type	Maximum	Minimum
Natural Gas	7" w.c.	4" w.c.
Liquid Propane	14" w.c.	11" w.c.

Both the regulator and burner orifices have been tuned for the type of gas specified on the rating plate. Converting to a different type of gas requires a conversion kit. Conversion kits are included with this grill and located with the manual. Converting gases may require additional parts not included with this grill. (See Gas Conversion section for details).

# GAS REQUIREMENTS

## IMPORTANT:

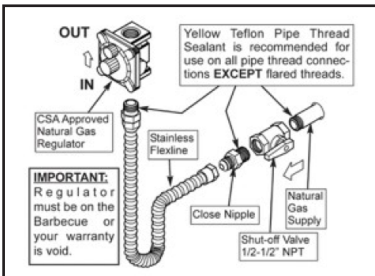
All installation and all installation parts must conform to local codes with the National Electrical Code, ANSI Z223.1/NFPA 70 latest edition and the National Fuel Gas Code ANSI Z223.1/NFPA 54 in the U.S. and CGA-B149.1/2 in Canada

## NATURAL GAS REQUIREMENTS

- Summerset Professional Grills recommends that only qualified professionals perform the required plumbing on this product.
- Check the Rating Plate to make sure the gas supply you are hooking up to is the gas type the grill is manufactured for.
- To ensure satisfactory performance, the gas supply line must be sized to accommodate the total BTU requirements of all the gas-fired equipment that will be connected to that line.
- In no case should pipe less than 1/2" inside diameter or 1" outside diameter ever be used to connect this product.

**NOTE:** DO NOT use any tape, pipe dope or threading compound on any flare fitting. This will cause a clog in the regulator and prevent your grill from functioning properly.

## CONNECTING TO THE NG REGULATOR



## LIQUID PROPANE TANK REQUIREMENTS

Turn off the gas at the supply when grill is not in use.

Please ensure:

- The LP gas tank has a shutoff valve, terminating in an LP gas supply tank valve outlet that is compatible with a Type 1 tank connection device. The LP gas tank must also have a safety relief device that has a direct communication with the vapor space of the tank.
- The tank supply system must be arranged for vapor withdrawal.
- The LP gas tank used must have a collar to protect the tank valve.

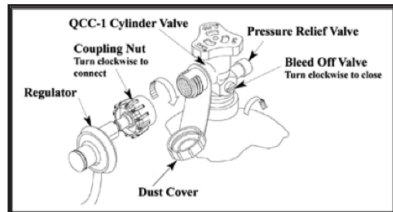
Never connect an unregulated LP gas tank to your gas grill. The gas regulator assembly supplied with your gas grill is adjusted to have an outlet pressure of an estimated 11" water column (W.C.) for connection to an LP gas tank.

- Use a standard 20 lbs. LP tank with QCC - 1 fitting
- Grills set up for LP gas come equipped with an LP hose regulator assembly for connection to a standard 20 lbs. LP cylinder (Type 1)

## CONNECTING TO THE LP TANK

The hose and regulator are connected in the following manner:

- Insert the regulator inlet into the cylinder valve and turn the black coupling nut clockwise until the coupling nut is hand tight. DO NOT over-tighten this connection.
- To disconnect the coupling nut, first make sure the main cylinder valve is turned off. Grasp the coupling nut and turn counter clockwise. The inlet will then disengage.



# GAS REQUIREMENTS

## FILLING AND REFILLING LP GAS CYLINDERS

All purging and refilling of LP gas cylinders must be performed by qualified personnel in the LP gas industry. Never store a spare LP gas cylinder under or near this appliance.

Never fill the LP gas cylinder beyond 80 percent full. Failure to follow these instructions may result in explosion, personal injury or death.

LP gas grill models are designed for use with a standard 20 lb. liquid propane gas (LP) tank with type (1) valve connections. (Not included) Never connect your gas grill to an LP tank that exceeds this capacity. A tank of approximately 12 inches in diameter by 18-1/2 inches high is the maximum size LP gas tank to use. A propane tank with an OPD (Overfill Prevention Device) must be used. This safety feature prevents the tank from being over-filled which can cause malfunction of the LP gas tank, regulator and/or grill.

The LP cylinder must be constructed and marked in accordance with the specifications for LP gas cylinders of the U.S. Department of Transportation (DOT) and designed for use with a Type 1 system only. Be sure to read and follow all LP connection instructions.

A dented or rusty LP cylinder may be hazardous and should be avoided. If in doubt, have it checked by your LP supplier. Always check for leaks after every LP cylinder change. (See Checking For Leaks)

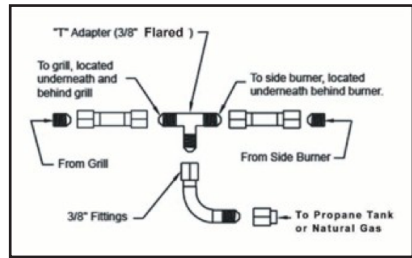
Cylinders must be stored outdoors in a well-ventilated area out of the reach of children. If your grill is stored indoors, the LP cylinder must be stored outside, in upright position and away from excessive heat.

### IMPORTANT

All installation and all installation parts must conform to local codes with the National Electrical Code, ANSI Z223.1/NFPA 70 latest edition and the National Fuel Gas Code ANSI Z223.1/NFPA 54 in the U.S. and CGA-B149.1/2 in Canada

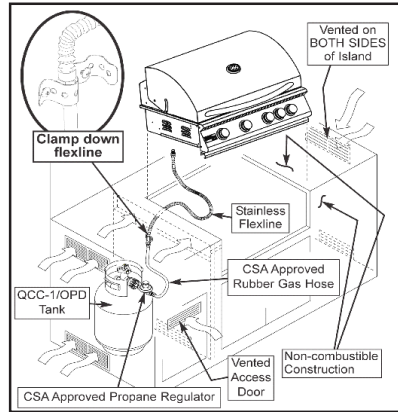
## CONNECTING TO A SIDE BURNER

You will need a 'T' adapter fitting (not provided) or similar connection to connect a single gas line to both a side burner and a grill. We recommend a licensed gas technician install all gas lines. See below figure for installation of a 'T' adapter.



## LIQUID PROPANE INSTALLATION

**NOTE:** Ventilation is require in the enclosure on opposite sides to create cross-ventilation. Liquid propane is heavier than natural gas and vents should be located near the bottom of the enclosure.



## ! WARNING!

Before lighting the burners, inspect the gas supply piping or hose. If there is evidence of cuts, wear, or abrasion, it must be replaced prior to use. Always keep your face and body as far away from the grill as possible when lighting.

## LIGHTING THE GRILL / MAINTENANCE TIPS

---

### Never operate the grill unattended. **DO NOT OPERATE ROTISSERIE BURNER WITH WARMING RACK INSTALLED**

Your Summerset Professional Grill is equipped with reliable, high-efficiency piezo ignition valves. Below are instructions for valve ignition and manual ignition lighting.

#### VALVE IGNITION

PLEASE Keep your face and body away from the grill top when lighting

- Open the hood before lighting; do not attempt to ignite burners while hood is closed.
- Make sure gas supply is turned on.
- Make sure burner control knobs are in the "OFF" position.
- Press in the control knob then slightly turn the knob counterclockwise while still pressing in.
- Hold in the above position for 5 seconds allowing the gas to reach the manifold.
- Turn the knob counterclockwise past the ignition to the high setting to ignite. You will hear the one time clicking sound of the spark ignition.
- After ignition, set the knob to the desired setting.

#### NOTE:

1. If the burner doesn't ignite, wait five (5) minutes before repeating steps 4-7.
2. DO NOT turn on more than one valve at a time for either

#### MANUAL IGNITION

**CAUTION:** Always wait five (5) minutes for gas to clear after any unsuccessful lighting attempt.

1. Follow steps 1-3
2. Place either a burning long-barrel butane lighter or a burning long-stem match near the manual flash tube to the right of the grill. For back burners, hold the flame against the surface of the back burner.
3. Hold the lighter or match flame at the top of the manual flash tube for five (5) seconds, or, next to the back burner. Then depress the appropriate control knob and while pressing turn it counterclockwise

to the HI position. Remove the lighter or match when the burner lights and release the control knob.

4. If the burner does not light within five (5) seconds of turning the control knob, immediately depress the knob and turn the control knob to off. Wait five (5) minutes before repeating steps 2-4 of the MANUAL LIGHTING instructions.

**NOTE:** Keep the hood closed during the pre-heat period.

#### BEFORE LIGHTING ROTISSERIE BURNER

**IMPORTANT: REMOVE THE WARMING RACK PRIOR TO TURNING ON THE ROTISSERIE BURNER.** Turning the rotisserie burner on while the warming rack is installed will cause the warming rack to warp and void the warranty.

---

## MAINTENANCE TIPS

#### PRE-HEATING THE GRILL

Pre-heating your grill every time you use it is extremely important. Pre-heating allows the briquettes to properly heat up, providing more even and more consistent cooking results. Pre-heat your grill by igniting all main burners. Then close the hood and allow the grill to heat for 10 to 15 minutes, the hood thermometer should reach approximately 450°. Once you've reached your desired pre-heat temperature, turn off the burners that you won't be using to cook your food. Remember, surface temperature can be up to 200° higher.

#### SHUT OFF INSTRUCTIONS

1. To shut off the unit, depress each valve control knob and while pressing turn clockwise to the "OFF" position.
2. Always close the valve from the gas supply after each use of the unit.

**NOTE:** When using a portable propane tank: Propane tanks are equipped with a safety shutdown device that may cause low or no gas pressure/flame at the burners if operating and lighting instructions are not followed exactly.



## MAINTENANCE TIPS

---

### CLEANING THE DRIP TRAY

The drip tray should be cleaned after each use. After the grill is completely cool, remove the drip tray by pulling it out until it stops, then lifting the front edge until the drip tray comes free. Clean it with hot soapy water or an oven-style cleaning product and re-install. When using an oven-style cleaning product be sure to carefully

follow the manufacturer's instructions. Many of these cleaners are toxic and can damage the stainless-steel finish if not used properly. Also, check the tray after rain. If you've left the grill uncovered, you may need to remove the drip tray to drain the water from the tray.

### LOW FLAME ADJUSTMENT

- To Adjust the Burner to a Low Setting:
- Make sure the grill is cool
- Remove the racks so you can see the flames while adjusting the burners
- Light the burner and allow it to preheat on high for 3 minutes
- Turn the burner to "LOW"
- Pull off the control knob
- Use a flat head screw driver and adjust the "gold flathead screw" in the valve to the proper flame height

### MAINTENANCE TIPS

#### STAINLESS STEEL NEEDS TO BE CLEANED?!? ABSOLUTELY!

Stainless steels need to be cleaned for aesthetic considerations and to preserve corrosion resistance. Stainless steel is protected from corrosion by a thin layer of chromium oxide. Oxygen from the atmosphere combines with the chromium in the stainless steel to form this passive chromium oxide film that protects from further corrosion. Any contamination of the surface by dirt, or other material, hinders this passivation process and traps corrosive agents reducing corrosion protection. Thus, routine cleaning is necessary to preserve the appearance and integrity of the surface.

### GRILL EXTERIOR

Routinely wash with warm soapy water and apply stainless steel polish to protect grill exterior

### GRILL INTERIOR

- Burn off excess food debris and marinades for 15 minutes after cooking
- Once the unit is cool, turn over the burner covers and burn the top side (the burner covers are reversible and are able to be mounted upside down for cleaning purposes)
- Use an approved stainless-steel oven cleaner to remove grease build up
- Routinely have a professional barbecue cleaning company detail the barbecue for best results and longevity

### STAINLESS STEEL MAINTENANCE

After each use wipe down the exterior of the grill to remove grease and splatters. Use a commercially available stainless steel cleaner to clean and polish the exterior surfaces. Doing these things on a regular basis minimizes the amount of effort required

When removing stubborn stains:

- Do not use metallic abrasives and always rub in the direction of the grain
- Some household cleaning products are not suitable for stainless steel; be sure to read the label before using on the grill
- Always use the mildest cleaning solution first, scrubbing in the direction of the grain
- Specks of grease may gather in the grain of the stainless steel and bake on to the surface, giving the appearance of rust
- To remove these baked-on foods use a fine to medium grit non-metallic abrasive pad (Scotch Brite is good) in conjunction with a stainless-steel cleaner
- Solutions used for cleaning concrete and masonry can be very corrosive and will 'attack' stainless steel
- Be sure your Summerset products are well protected before using these products

## GRILL FEATURES

---

### IMPORTANT NOTE: FOR LOCATIONS NEAR COASTAL AREAS AND POOLS

#304 stainless steel materials used in the construction of your Summerset Professional Grill are highly rust resistant, however, chlorine in the air from swimming pools or the salt from sea air may cause surface rust to appear and even create some pitting if left on the product. Here are a few tips to avoid this:

- Regularly wipe down the exterior surfaces with a damp cloth (micro fiber towels work well)
- Allow the surfaces to dry before installing the cover Do not cover a damp grill
- In extreme environments apply a rust inhibitor which leaves a microscopic protective layer on the grill
- For seasonal storage use the product referred to above, ensure the grill is dry, then cover and secure the cover to minimize the amount of damp air getting to the surfaces

After your first use, certain areas of the grill may discolor from the intense heat given off by the burners - this is normal and cannot be cleaned off. For light and heavy food stains there are many different stainless-steel cleaners available.

### ROTISSERIE INSTALLATION

**CAUTION:** When using the back burner, keep the grill lid closed to prevent heat loss, provide proper convection and provide proper venting. This will ensure even cooking temperatures.

When using the rotisserie with the hood open, be careful in windy conditions, always being mindful of heat dispersion.

Do not use the rotisserie motor in the rain. Do not leave the motor on the grill when not in use.

1. Remove the warming rack, cooking grates, and cooking grates if necessary
2. Mount the rotisserie motor bracket on either side of the grill nearest the outlet
3. Slide the rotisserie motor onto the rotisserie motor bracket
4. Insert rotisserie spit (rotisserie rod) into motor
5. Place 1st fork onto the rotisserie spit and secure tightly

6. Position the meat onto the spit securing to the 1st fork
7. Place 2nd fork onto the spit securing to the meat and tighten screw
8. Insert collar onto spit
9. Screw on handle nut and handle
10. Add a drip pan beneath the meat to catch drippings and retain moisture in the meat
11. Light back burner per lighting instructions in this manual and close grill lid

**IMPORTANT:** Turn the back burner to low or off when stopping the rotisserie to prevent over cooking

### HEAT-ZONE SEPARATOR INSTALLATION

To install the heat zone separators, please insert the heat zone separators as shown in the figure below.



### OPTIONAL DROP-IN SEAR BURNER INSTALLATION

The preferred location to install a drop-in sear burner is on the far left of the grill. This will allow for a sear zone while maximizing the main burner grilling space. To install a drop-in sear burner:

- Remove the grate and burner covers to access the main burner
- Remove the cotter pin securing the main burner (if necessary)
- Remove main burner
- Remove cross tube in between main burners allowing for drop-in sear burner to rest flat, if necessary
- Install sear burner with the center of the orifice positioned in the center of the burner and rest the back of sear burner flat on the rear of the grill. There is a locating pin in the rear of the sear burner that must be seated correctly.

## GRILL FEATURES / WARRANTY

---

### LIGHTING DROP-IN OPTIONAL SEAR BURNER

1. Open the hood before lighting; do not attempt to ignite burners while hood is closed.
2. Make sure gas supply is turned on.
3. Make sure burner control knobs are in the "OFF" position.
4. Press in the control knob then slightly turn the knob counterclockwise while still pressing in.
5. Hold in the above position for 5 seconds allowing the gas to reach the manifold.
6. Turn the knob counterclockwise past the ignition to the high setting to ignite. You will hear the one time clicking sound of the spark ignition.
7. After ignition, set the knob to the desired setting.
8. Using the main burner sear zone can cause extreme damage. **100% attendance to this style of cooking is required.**

### POWER FRONT PANEL LED

To power internal halogen and external LED lights, insert the trans wire (two prong connection) into the transformer. Plug the transformer into an electrical outlet rated for the transformer.

## WARRANTY

---

**Lifetime Warranty** on construction and manufacturers defects

**Lifetime Warranty** on frame and housing

**Lifetime Warranty** on cooking grates, burners and valves

**One year warranty** on all other parts, components and electrical

Summerset Professional Grills Warranty is valid for original purchaser at original site of delivery with proof of purchase and photo documentation only. Registration form must be submitted within 30 days of the purchase date to validate the warranty. Warranty is void upon transfer of ownership. Warranty does not apply to products installed in any commercial, rental, or non-residential application. Warranty covers replacement parts only. Manufacturer is not responsible for labor or labor-related costs. Warranty does not cover discoloration, surface rust, corrosion, or oxidation, which may occur due to harsh environments, chemicals, or overheating. Warranty will not apply for damage resulting from improper installations, abuse, extreme environments, grease fires, or misuse. Regular and proper maintenance is required. Coastal, humid, and/or salt environments are subject to manufacturer review. All out-of-box claims must be made within 30 days of purchase and must be made prior to installation. Any product installed damaged will be considered damaged during installation and not covered under warranty. Warranty and registration forms are available at [www.SummersetGrills.com](http://www.SummersetGrills.com). Please be advised – all display models are sold "as is" and the warranty covers the following items only: main burners (lifetime), grates (lifetime), burner covers (1 year). All warranties are subject to the review and approval of the manufacturer.

### WARRANTY NOTE

*The Summerset Lifetime Warranty provides protection against rust through of parts that render the product inoperative. It does not cover occasional surface rust or staining due to environmental conditions.*

# WE MAKE IT ALL

Summerset Professional Grills strives to meet every outdoor living expression. We offer a wide range of products from grills, refrigeration, sinks, accessories and more. Our goal is to ensure you have everything you need to create your perfect outdoor atmosphere. No matter the style or budget, Summerset will deliver an experience that will help create the ultimate backyard getaway.



## ACCESSORIES

Summerset's full line of stainless steel outdoor kitchen components makes sure you have everything you need for the perfect outdoor kitchen experience. Double-lined construction provides the extra insulation and resilience needed against the elements, soft closing drawers offer a luxurious feel, and a thicker flange provides a sturdy, seamless fit and elegant style that will work with any countertop and island finish.



## REFRIGERATION

Summerset offers a wide variety of luxury stainless steel refrigerators, wine coolers, and kegerators. With up to 6.6 cubic feet of storage, these appliances will help keep your food fresh, wine chilled, and beer flowing, bringing the function of your indoor refrigeration outside to join the party.



## SINKS & BAR PREP

Take your outdoor kitchen to the next level with our sinks and ice chests. The Summerset Beverage Center is complete with an ice compartment, sink, towel holder, speed rail with condiment tray, LED lights, and a built-in bottle opener. When you're grilling, we want to make sure you have everything you need conveniently on hand.

