

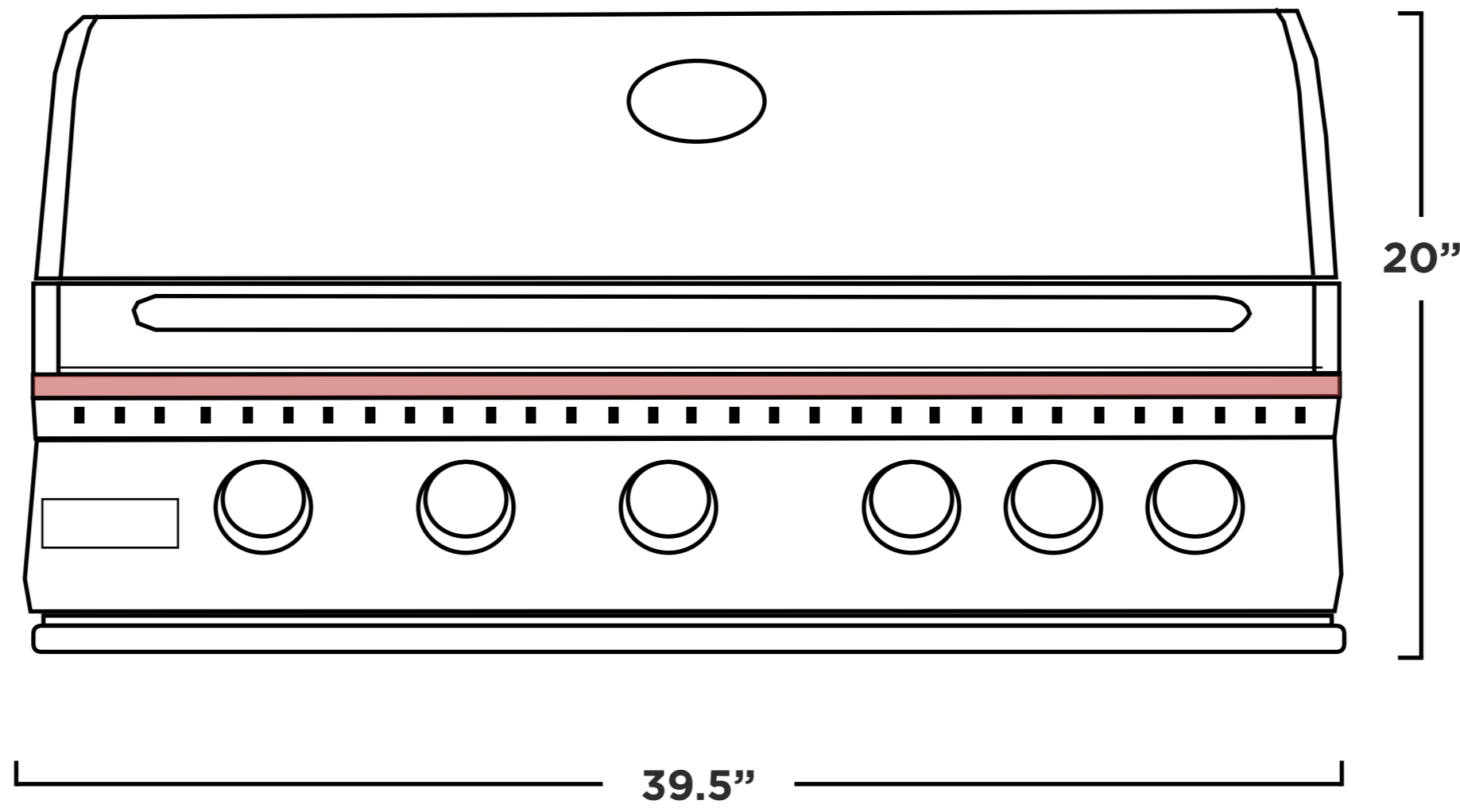


SUMMERSET
PROFESSIONAL GRILLS

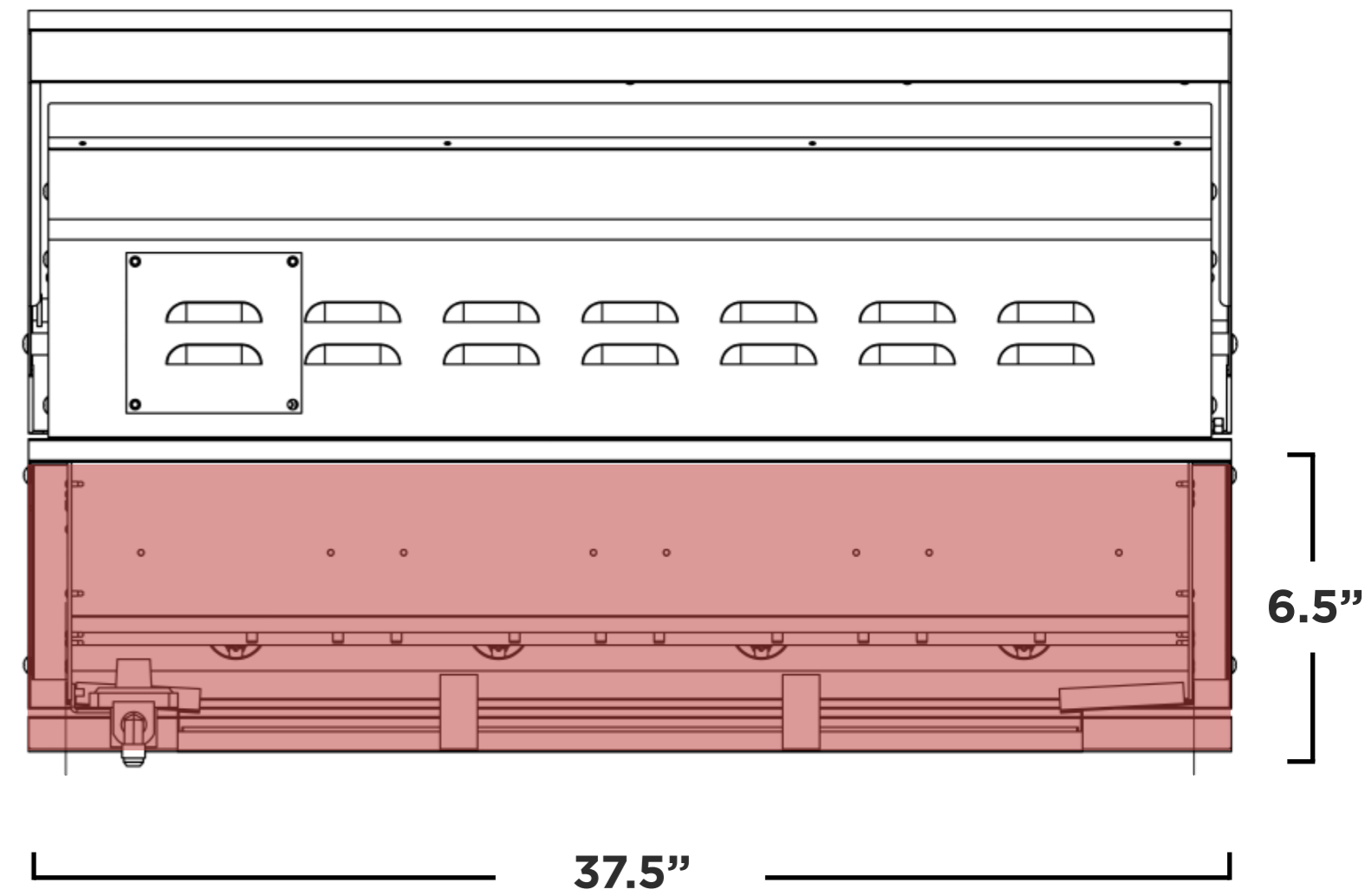
40" Sizzler

Model	SIZ40
Cutout Dimensions**	38"W x 8.5"H x 20.75"D
Actual Dimensions	39.5"W x 20"H x 25.5"D
Material	#443 Stainless Steel
Burner Count	5 Main Burner
Total BTU	75,000 BTU
Total Cooking Surface	985 sq. in.
Electical Supply	N/A
Gas Inlet NG	3/8" NPT Female Regulator
Gas Inlet LP	3/8" NPT Male Fitting
Power Cord Length	N/A

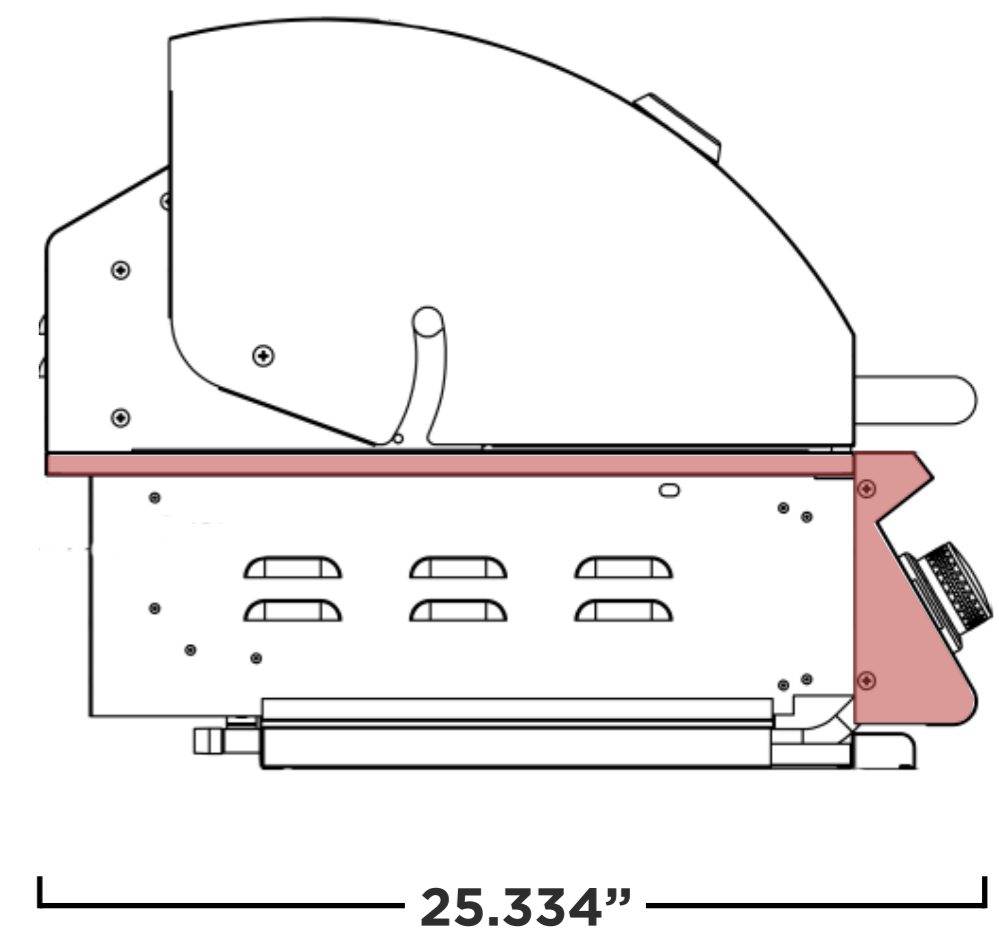
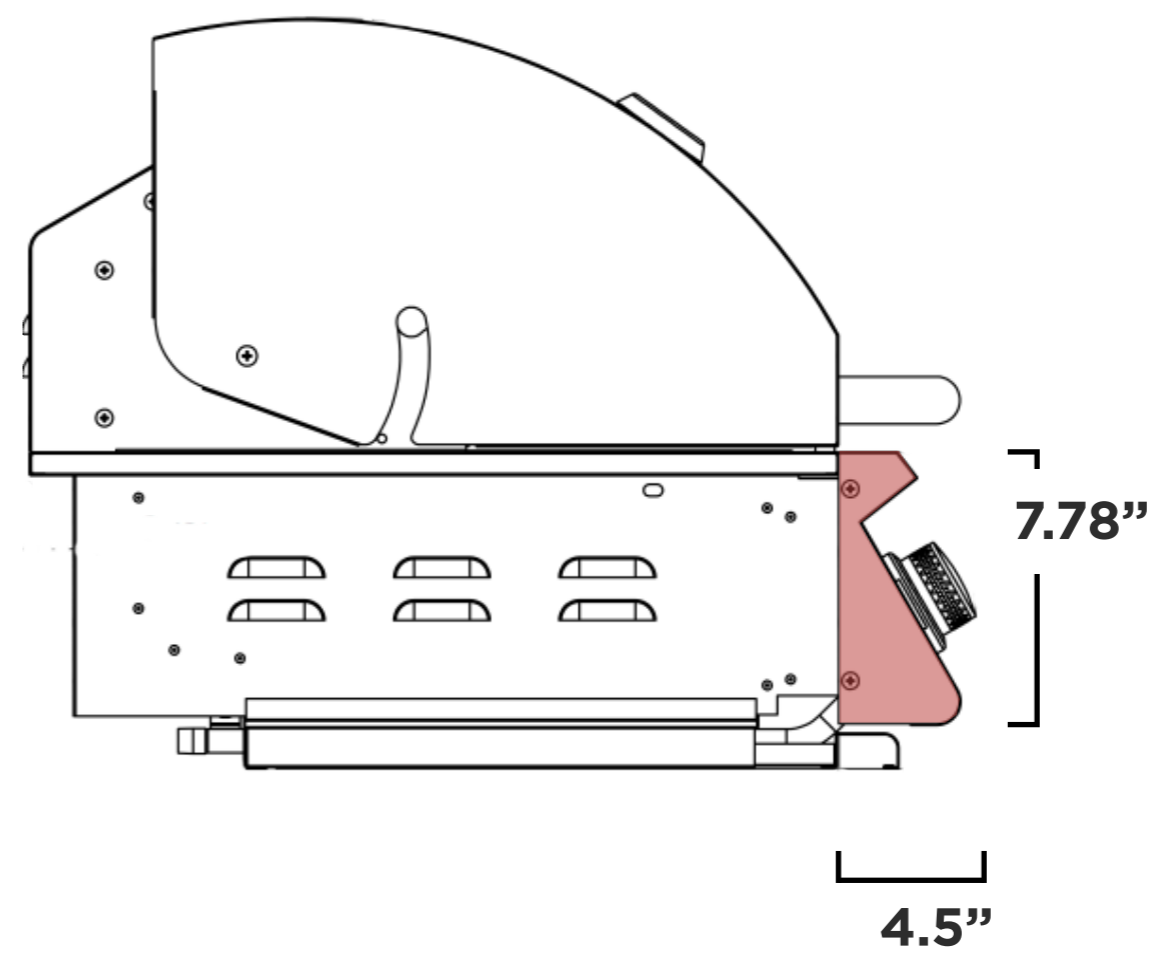
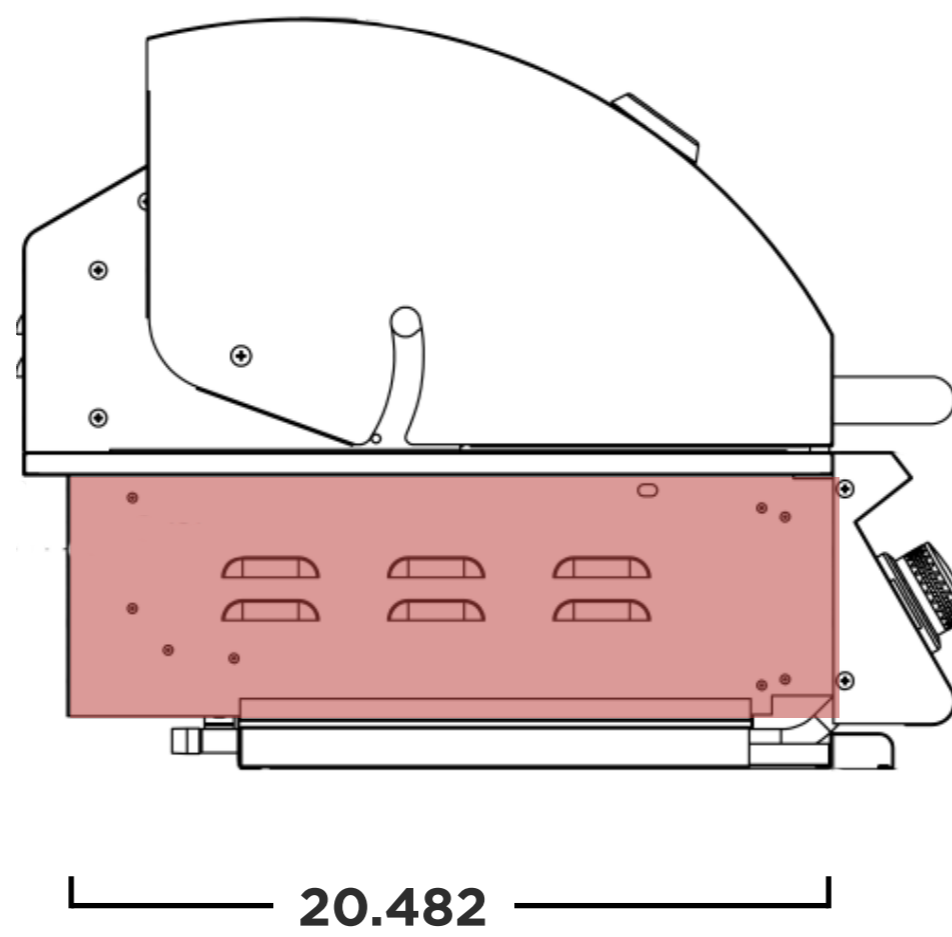
Front



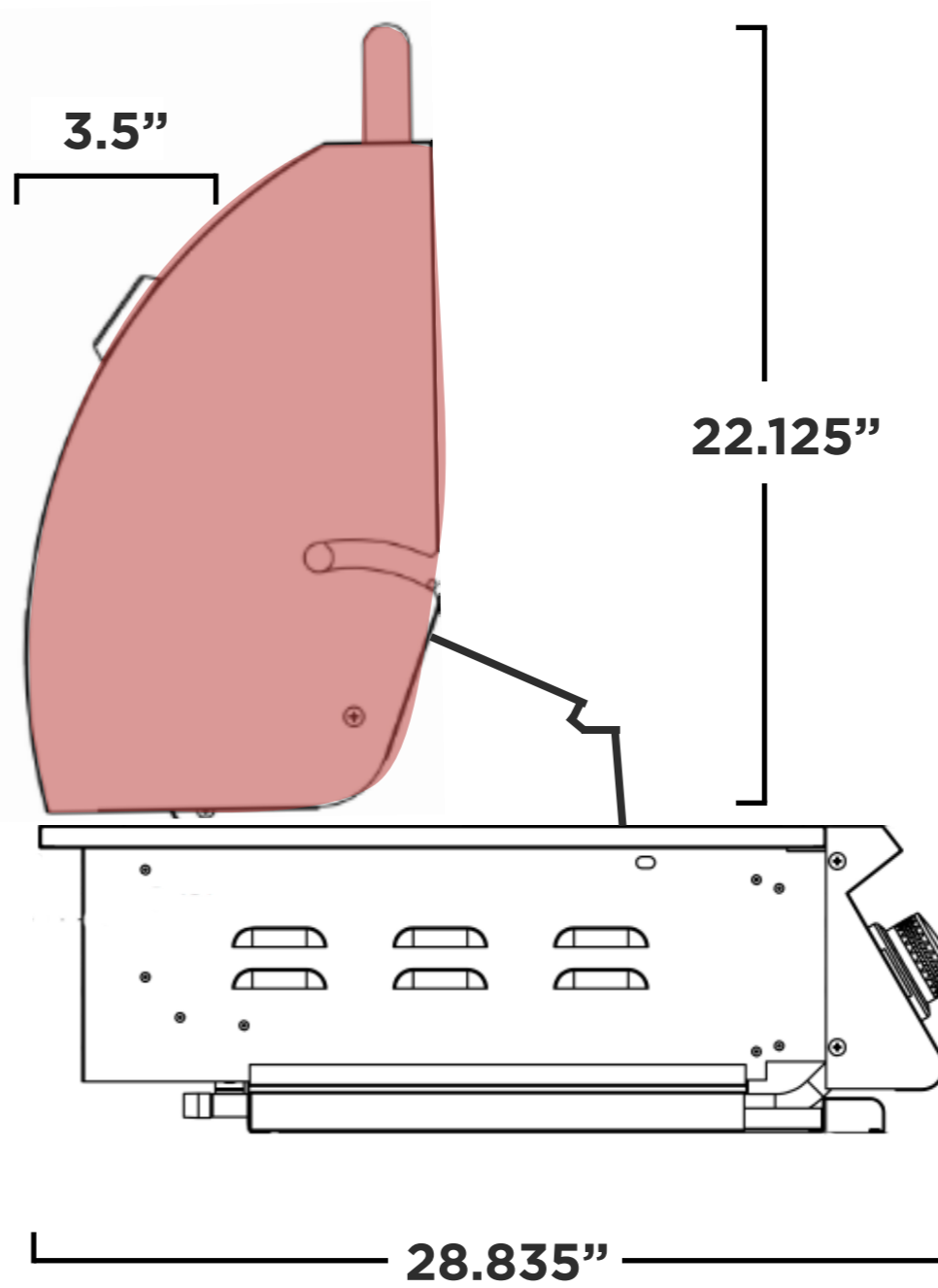
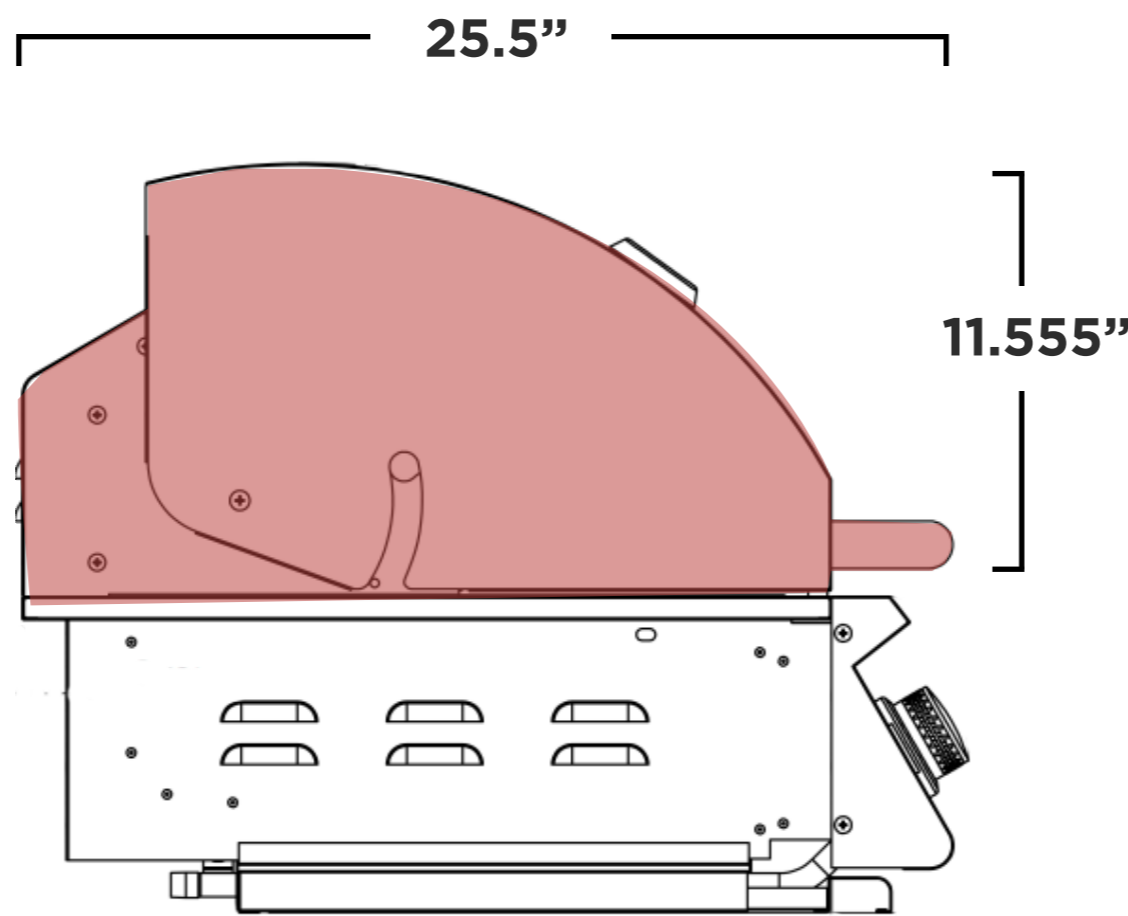
Rear



Side

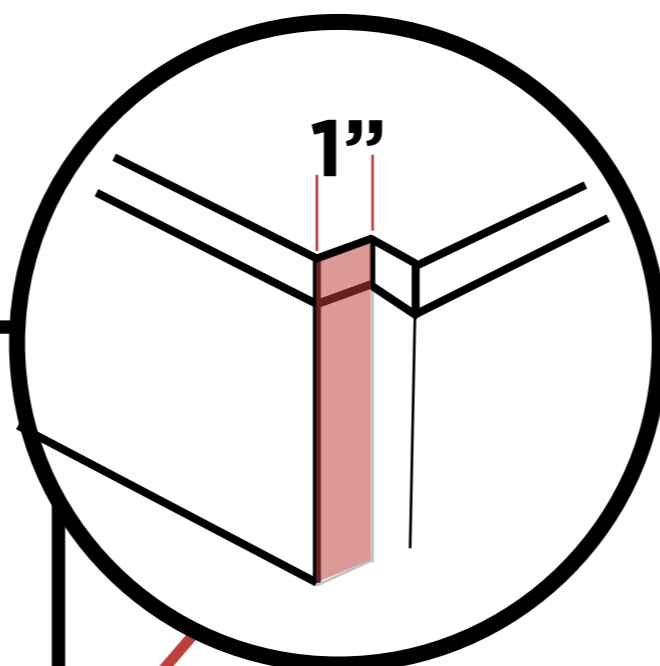
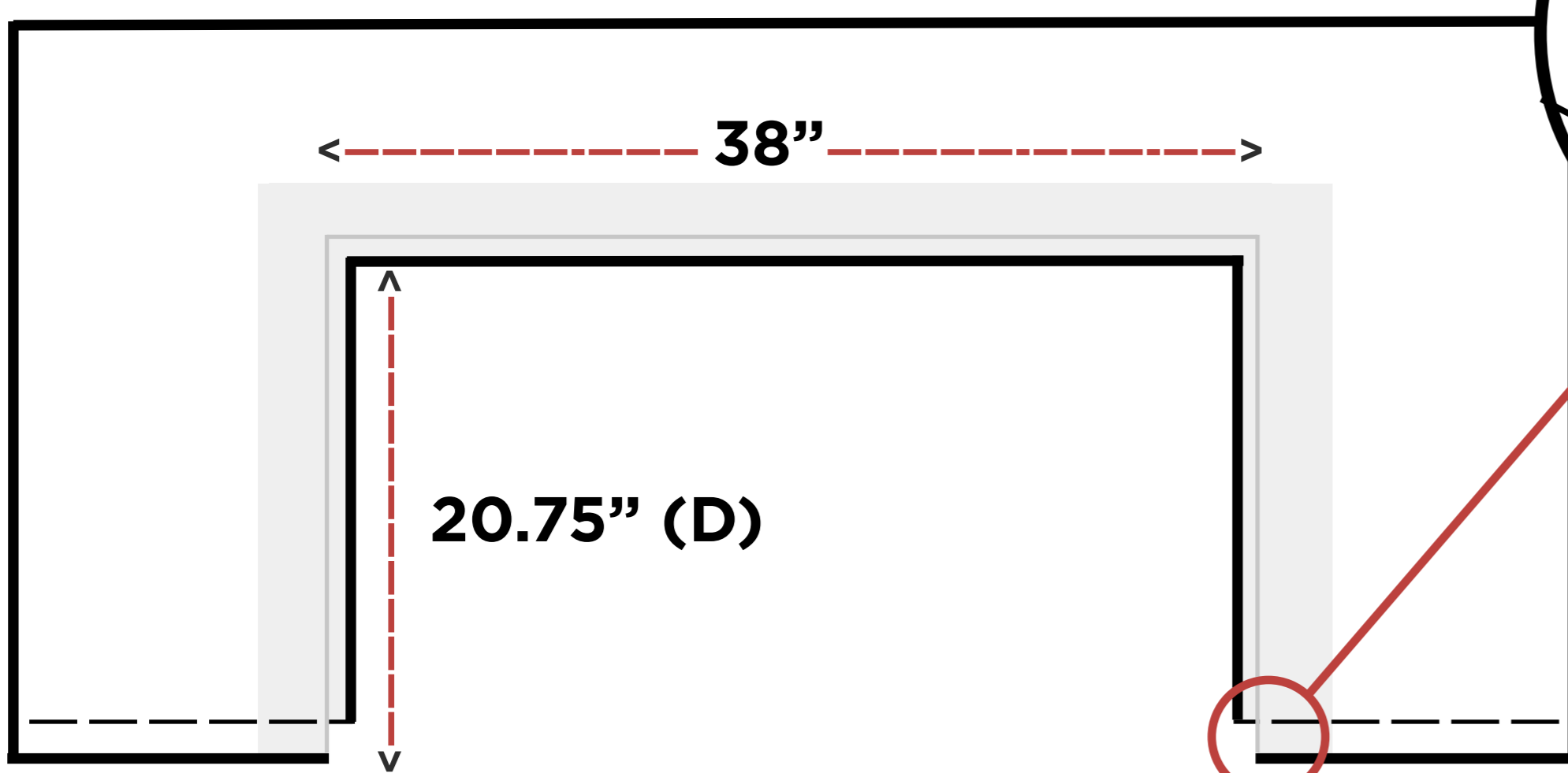


NOTES



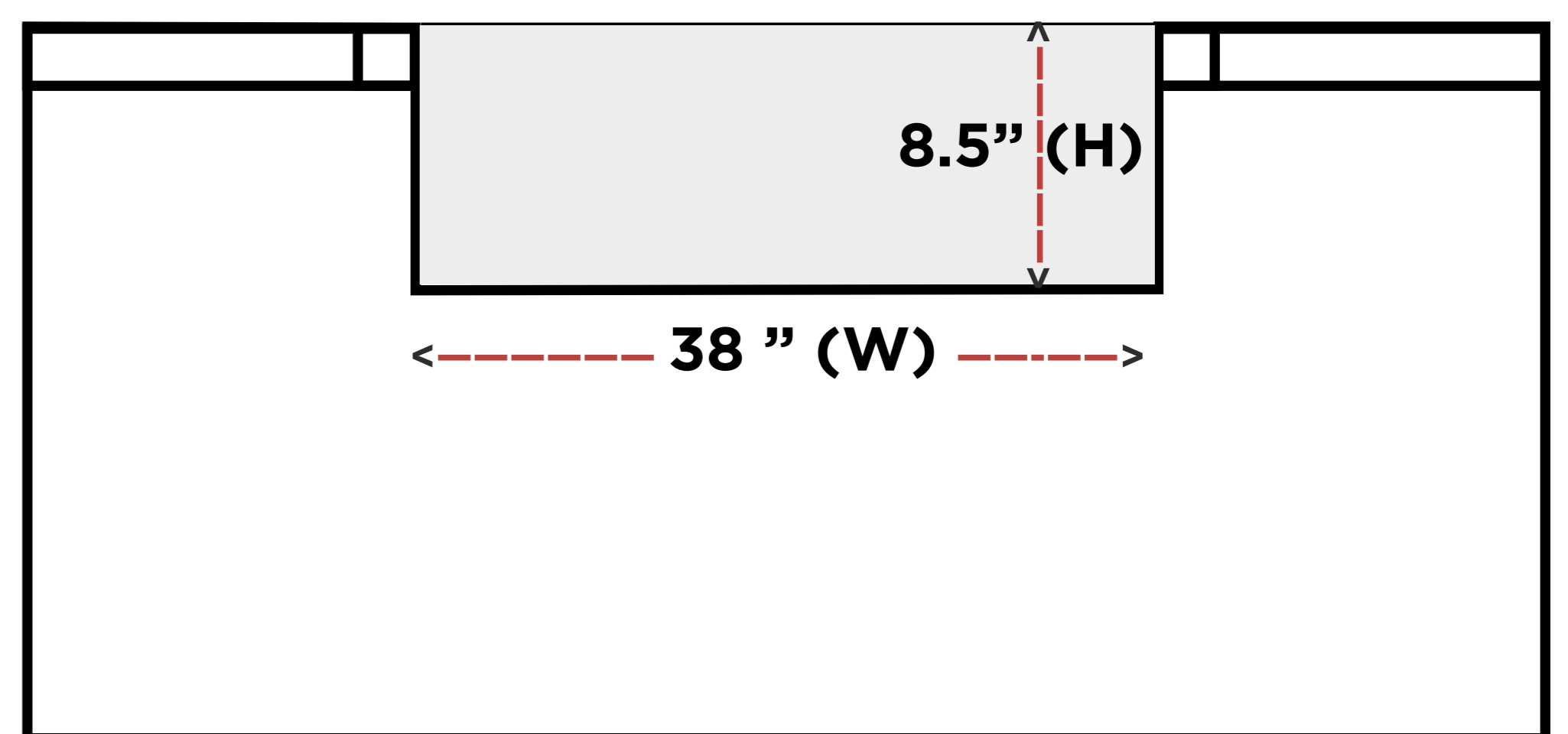
Cutout Dimensions **
38"W x 8.5"H x 20.75"D

Island Top View



Countertop Notch
Cutout Dimension

Island Front View



Manufacturer Suggested Cutout Dimensions (**)