

# OWNERS MANUAL

PLEASE REVIEW CAREFULLY  
KEEP IN SAFE PLACE FOR REFERENCE

# SIDE BURNERS

## SINGLE DROP IN SIDE BURNER



## DOUBLE SLIDE IN SIDE BURNER




### **WARNINGS:**

**WARNING:** Improper Installation, Adjustment, Alteration or maintenance can cause major injury or property damage. Read the installation and operating instructions and always use a licensed professional installer to install all gas appliances and hook up electrical.

All side burners are for **OUTDOOR USE ONLY** with Natural gas or LP Gas. Do not place this appliance in an enclosed room, under a sealed overhead structure or in any type of enclosed area such as a shed, garage, RV, Trailer or breezeway. Side burners are not designed or intended for installation near a window or vent that goes into the house.


Make sure that you maintain a sufficient distance to combustible material such as patio covers. Make sure you always refer to local and state codes as well as consult your local City for any City laws.

The area surrounding the side burner must always be kept clean and have no flammable liquids and other combustible material such as cleaning material, solvents, cleaning fluids, gasoline.

  
**Caution**

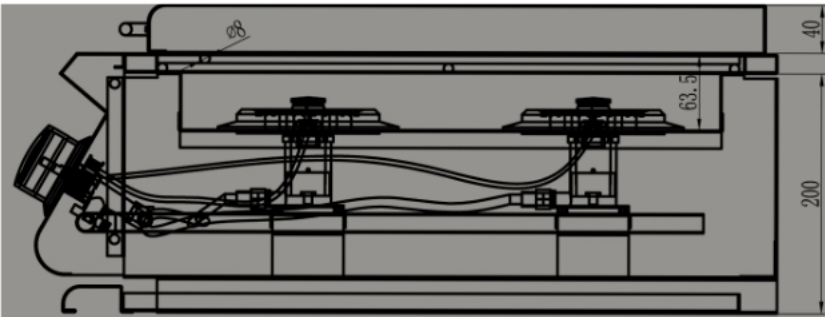
**IF YOU SMELL GAS:**

- 1) Shut off all gas supply lines to the grill accessory.
- 2) Extinguish any open flames.
- 3) Carefully open lid. Remember, it may be extremely hot.
- 4) If odor continues, keep everyone away from the grill accessory and immediately call your gas supplier or your fire department.

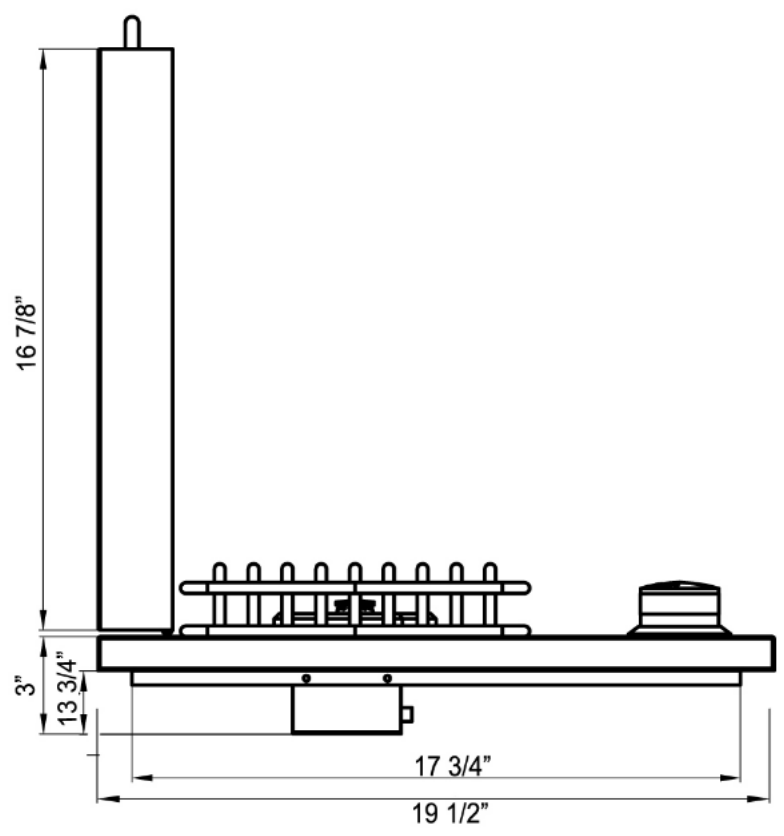
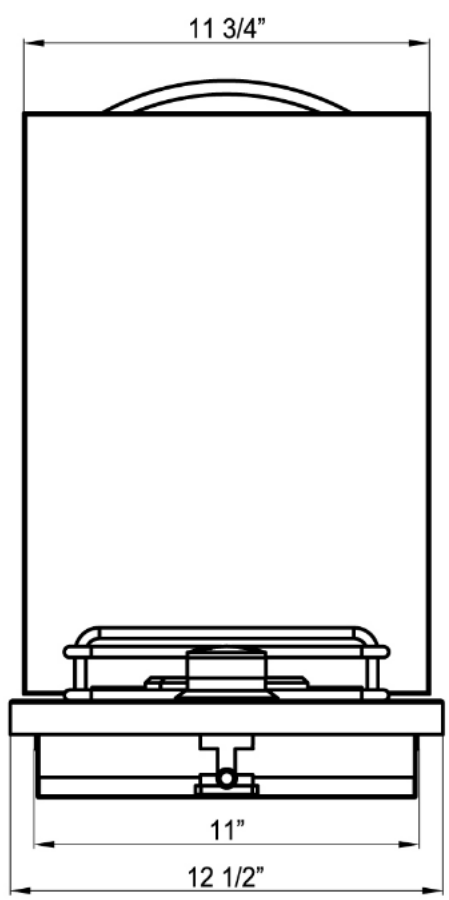
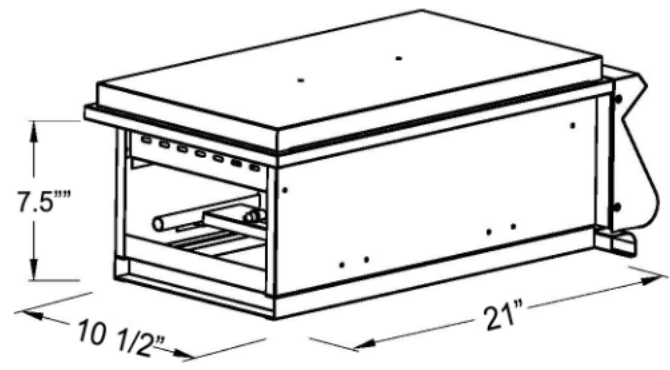
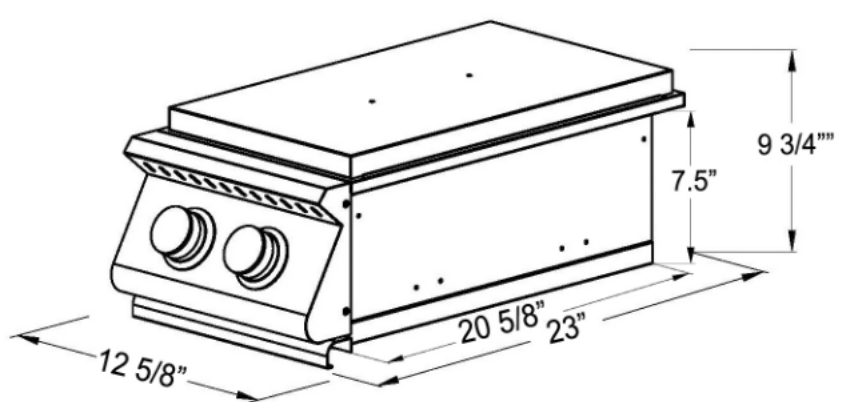
  
**Caution**

- ▶ DO NOT store or use gasoline or other flammable vapors and liquids in the vicinity of this or any other appliance.
- ▶ An LP cylinder not connected for use shall not be stored in the vicinity of this or any other appliance.

California Proposition 65 Warning: Chemicals known to the State of California to cause cancer, birth defects or other reproductive harm are found in and/or created by the combustion of natural gas, propane, butane and other fuels. Always operate this unit as described in the owner's manual and in well ventilated areas.



# BUILDING SPECIFICATIONS





## Caution

# SIDE BURNER WARNINGS

# W A R N I N G

Never use dented, rusty or damaged propane cylinders. NEVER store additional or empty propane cylinders in the cabinet or in the vicinity of this or any other appliance. Do not store propane cylinders indoors or on their sides.

Children should NEVER BE LEFT ALONE or unattended in an area where an accessory is located. Place your accessory well away from areas where children play. Do not store items that may interest children in or around the area of your accessory, in your accessory cart, or in the masonry enclosure.

NEVER move the accessory when hot. When in use, portions of the accessory are hot enough to cause severe burns.

Always maintain the required clearances from combustibles as detailed. Accessories are designed for outdoor use only. NEVER use in a garage, building, shed, breezeway, or other enclosed area. Do not use this equipment under any overhead combustible construction.

Grill accessories are not designed or certified for and are not to be installed in or on recreational vehicles, portable trailers, boats or any other moving installation.

ALWAYS have an ABC Fire Extinguisher accessible — never attempt to extinguish a grease fire with water or other liquids.

**STORING YOUR ACCESSORY:** Store your accessory in a well-ventilated area. If stored indoors, detach and leave LP cylinder outdoors in a well-ventilated area away from heat and away from where children may tamper with it.

Keep any electrical supply cord and the fuel supply hose away from any heated surfaces. Electrical cords should be placed away from walkways to avoid tripping hazard.

Do not repair or replace any part of the accessory unless specifically recommended in this manual. Other service should be performed by a qualified technician.

If the accessory is installed by a professional installer or technician, be sure that he/she shows you where your gas supply shut-off is located. All gas lines must have a shut-off that is readily and easily accessible. If you smell gas, check for gas leaks immediately. Check only with a soap and water solution. Never check for gas leaks with an open flame.

Inspect the LP gas supply hose prior to each use of the accessory. If there is evidence of excessive abrasion or wear, or the hose is cut, it must be replaced before using the accessory.

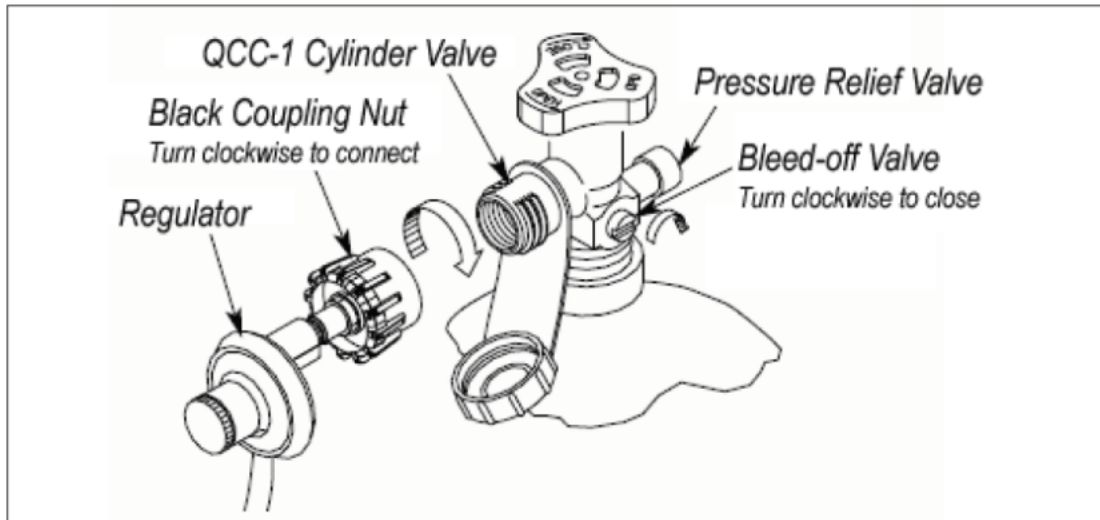
**THIS MANUAL MUST REMAIN WITH THE PRODUCT OWNER FOR FUTURE REFERENCE.**

## BASIC CAUTIONS & CARE

- Do not leave side burner unattended while cooking
- Keep Stainless Steel Clean with using Mild Dish detergent such as Dawn. You can also shine up the stainless with WD40 – Exterior only & not near food prep Area. DO NOT USE Steel Wool or wire brushes this will Scratch the surface.
- Do not spray WD-40 near an open flame

## **Liquid Propane and Natural Gas Connections.**

- The LP Gas Cylinder must be in compliance with the Specifications for LP-Gas Cylinders of the US Department of Transportation or the National Standard of Canada, CAN/CSA-B339. The Basic Tank size is 12" in diameter and 18" High with a QCC-1 Cylinder Valve.



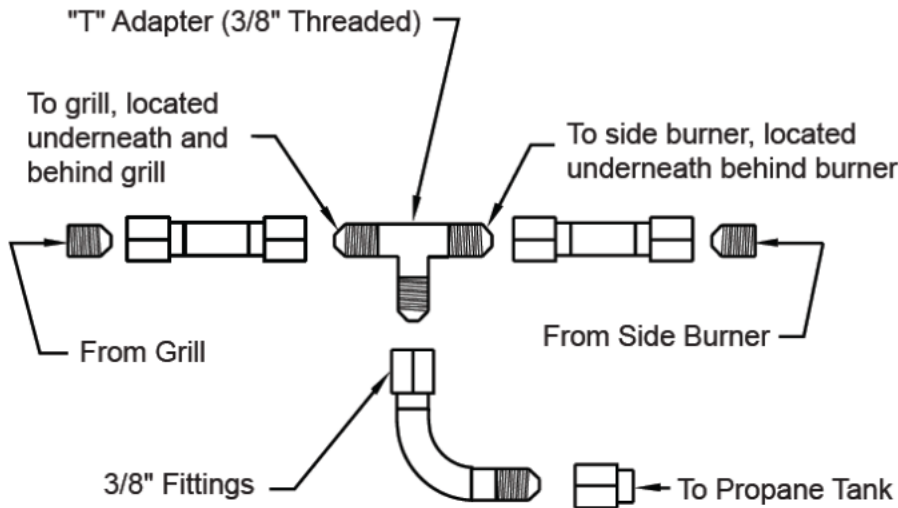
- Any enclosure for the Cylinder such as a bbq island make sure the island is well vented top and bottom.
- All Natural Gas installations must conform to local codes or in the absence of local codes the national fuel gas code, ANSIZ2223.1a-1998.
- In Canada installation must comply with the standard CAN/CGA-B149.2
- Always use a licensed plumber or contractor to install all Gas installations. Ensure that the side burner is fitted independently with a Brass Gas Shut off valve located close to the side burner and easily accessible.

## **LIGHTING THE SIDE BURNER**

- Open the top Hood or remove the top cover
- Keep your Face and Body away from the burner and flame
- Push in and Turn Control Knob to Left High Position a Spark will hit the Burner
- Try three times and if Gas does not ignite then Wait 5 Minutes
- If Spark does not work you can place lit long match or Long Nose Lighter next to Burner holes to ignite. Gas will ignite but if this does not happen switch gas burner Off and try again
- If this does not light with Electronic Spark or Match switch off and call a professional to come test unit or call manufacturer.
- Make sure Knob is in the OFF Position at all times when not in use.

## SIDE BURNER GAS CONNECTION WITH GAS BBQ

### BASIC CONNECTION FOR LP. (Liquid Propane Gas)

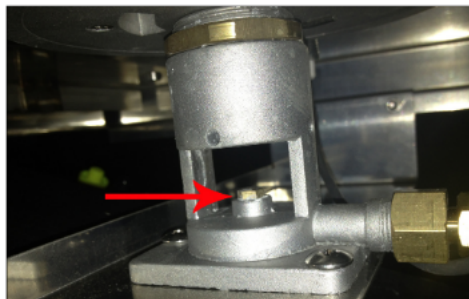


- When installing for Natural Gas make sure that the side burner has its own Brass shut off valve so that it can be easily and safely switched off.
- Make sure that you always use a trained professional contractor and/or Plumber to install all gas appliances.
- If you smell gas switch off the gas supply to the appliances and call a professional.

### SIDE BURNER CONVERSION KITS

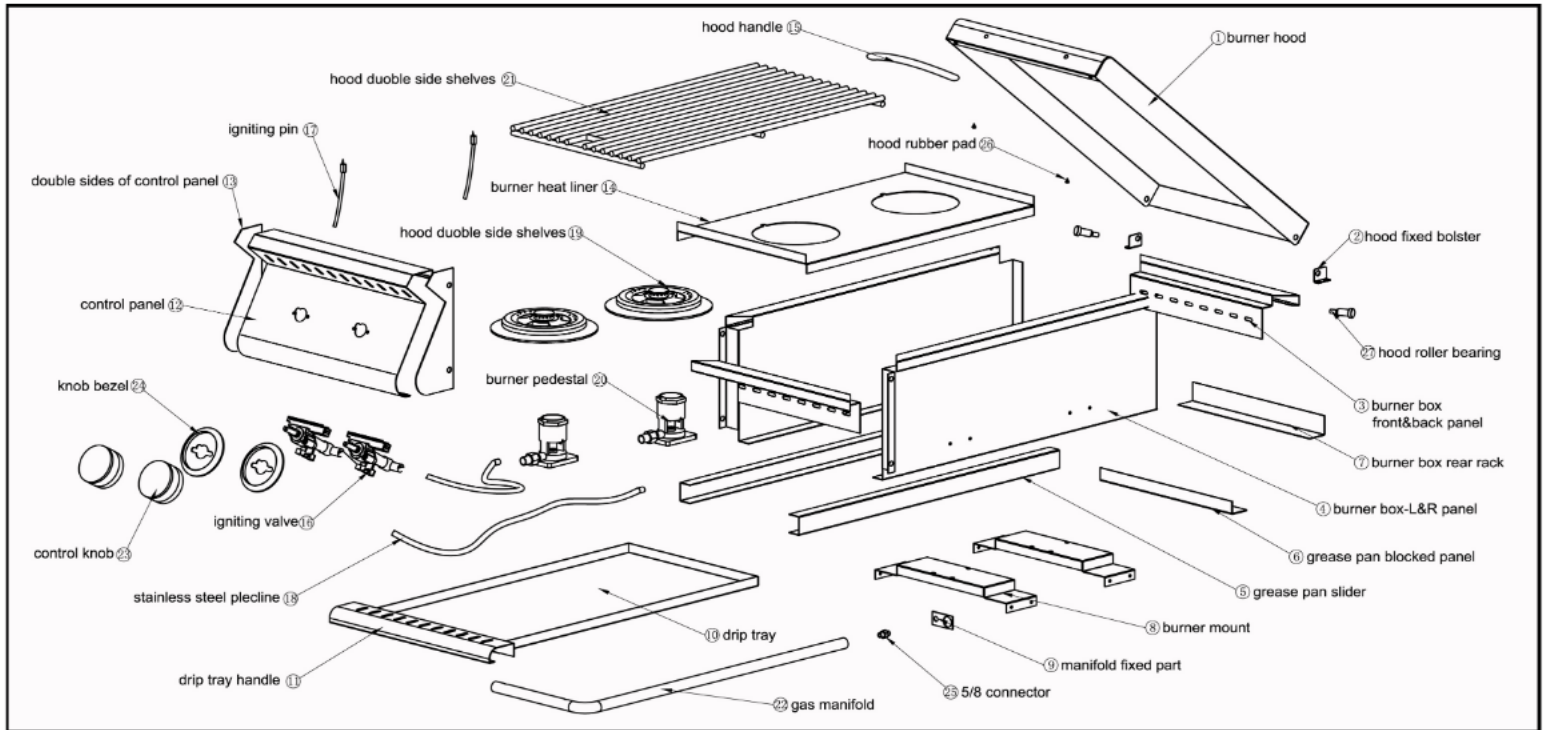
All side burners will either come Natural Gas or Liquid Propane (LP) as per your manufacturer. There will be a complete conversion kit in each Side Burner for the opposite gas. The kit will include one (Single Side Burner ) or Two (Double side Burner) orifices to be replaced.

- Pull out Side Burner and look at where the Gas Goes into the Burner - (Pic Below)
- Remove Orifice and replace with desired gas Type
- If Unsure of full procedure please contact manufacturer directly
- Always have a gas professional perform this procedure for you



## BASIC SIDE BURNER TERMINOLOGY

Refer to the bottom chart for Part Terminology.



## BASIC TROUBLESHOOTING

<b><u>Smell of Gas is Present</u></b>	Check for loose connections in the gas line. Perform a leak test with soapy water or Windex. <b>DO NOT TRY AND TEST WITH FLAME.</b> If you find a leak call a gas professional to fix & shut off gas to appliances.
<b><u>Burner Does Not Ignite</u></b>	Check position of spark tip it should jump over to the Brass Burner. Clean area where contact will be made from spark tip to burner. Make sure there is a Blue spark at the electrode tip to burner. Make sure the wire is connected correctly. Make sure the orifice is free of any grease or dirt. <b>ALWAYS TURN OFF GAS WHEN TESTING</b>
<b><u>Yellow Flame</u></b>	Color on flame should be mostly Blue. There should be a yellow tip but if flame is completely yellow clean burner and substances around burner it can be oil or matter on the burner.
<b><u>Plugged Orifice</u></b>	Remove Orifice and clean with a fine wire.
<b><u>No Gas To Burner</u></b>	Check Shut Off Valve to see if in on position. Make sure that Gas is on to main bbq and is operating – gas may be turned off.

**ALWAYS CALL MANUFACTURER IF YOU HAVE TECHNICAL QUESTIONS**