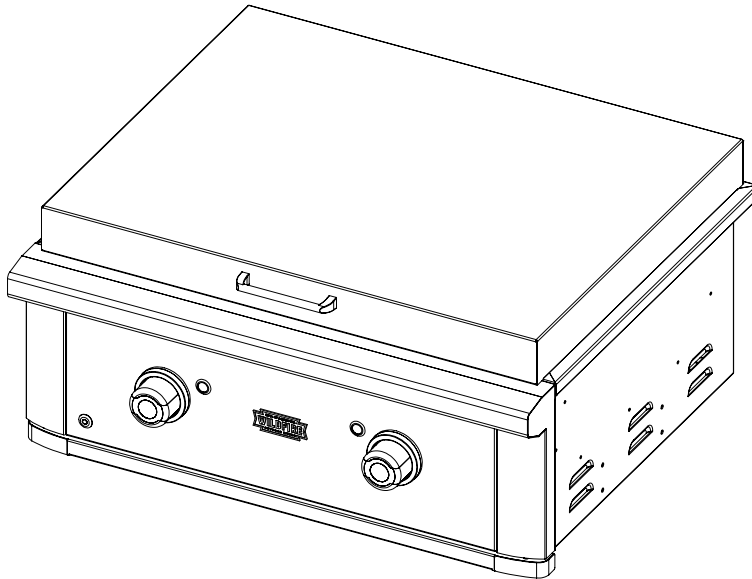




Stainless Steel Gas Flat Top Griddle
Operational Manual
For Liquid Propane and Natural Gas Models



Intertek

Conforms to ANSI STD Z21.58-2018
Certified to CSA STD 1.6-2018
Outdoor Cooking Gas Appliance

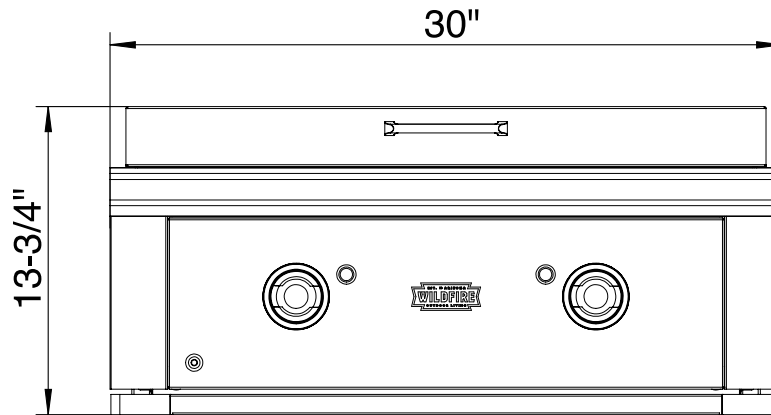
AFFIX SERIAL NUMBER
LABEL HERE

IMPORTANT: Read all instructions and warnings before using this product! Use of this product, as with any similar outdoor griddle, will involve risks from high temperatures and from exposure to smoke and fumes. Please exercise caution and common sense.

To installer or person assembling griddle: Leave this manual with griddle for future reference.

To consumer: Keep this manual for future reference as it contains important Warnings and Instructions.

FOR OUTDOOR USE ONLY



30" Flat Top Griddle

WF-PRO30GRD-RH-LP

WF-PRO30GRD-RH-NG

Welcome to Wildfire Outdoor Living

Please read this manual carefully to understand all the instructions about how to install, operate and maintain your Griddle for your safety and for optimum performance and longevity. We know you'll enjoy your new Griddle and thank you for choosing our product. We hope you consider us for future purchases.

Read and save the instructions

Obey all Warnings and Instructions.

This Manual provides specific operating instructions for your model. Use your Griddle only as instructed in this manual. These instructions are not meant to cover every possible condition and situation that may occur. Common sense and caution must be practiced when installing, operating and maintaining any appliance. If you lose this Manual, a replacement copy can be downloaded from our website at www.wildfireoutdoorliving.com or call Customer Service at 602-344-4840.

Table of Contents & Critical Safety Warnings

General Safety Instructions	3
Limited Warranty	5
Griddle Models	6
Locating the Griddle	7
Gas Requirements.....	10
Liquid Propane Gas Supply.....	11
Natural Gas Supply	15
Connecting Electrical Transformer	17
Operating the Griddle	18
Lighting Your Griddle	19
Using Your Griddle and Cooking Safely ...	20
Care & Maintenance.....	22
Troubleshooting Your Griddle	24
Parts Listings.....	27

DANGER

DANGER means if the danger is not avoided, it will cause death or serious injury.

WARNING

WARNING means if the warning is not heeded, it can cause death or serious injury.

CAUTION

CAUTION means if the precaution is not taken, it can cause minor or moderate injury or property damage.

DANGER

IF YOU SMELL GAS:

1. Shut off gas to the appliance.
2. Extinguish any open flame.
3. Open Lid.
4. If odor continues, keep away from the appliance and immediately call your gas supplier or your fire department.

WARNING

WARNING:

1. DO NOT store or use gasoline or other flammable liquids or vapors in the vicinity of this or any other appliance.
2. A Liquid Propane (LP) cylinder not connected for use shall not be stored in the vicinity of this or any other appliance.



DANGER

FOR OUTDOOR USE ONLY:

NEVER operate Griddle in enclosed areas, as this could lead to gas accumulating from a leak, causing an explosion or a carbon monoxide buildup which will result in injury or death.

DO NOT use your Griddle in garages, breezeways, sheds or any enclosed area. NOT FOR USE BY CHILDREN. If these instructions are ignored, a hazardous fire or explosion could result in physical injury, death or property damage!

Important Warnings and Safety Instructions

CAUTION

Improper installation, adjustment, alteration, service, maintenance or use can cause injury or property damage. Read the installation, operating and maintenance instructions thoroughly before installation or servicing of this equipment.

General Safety Instructions

1. For Outdoor Use Only.
2. Wildfire griddles are only intended for residential use and are not intended for commercial use, where anyone other than the original purchaser (homeowner) would be using and maintaining the Griddle.
3. NEVER use indoors or in any type of enclosed area, such as a garage, shed or breezeway. Keep clear of trees and shrubs. The griddles are not intended for installation in or on recreational vehicles, portable trailers, boats or any other moving installation.
4. To reduce the risk of serious or fatal injury from breathing toxic fumes and from explosion and fire as a result of leaking gas, use only outdoors in an open area with good ventilation. NEVER obstruct the flow of combustion and ventilation air.
5. Fire Hazard: The area surrounding your new griddle should be kept clean and free from flammable liquids and other combustible materials such as mops, rags or brooms, as well as solvents, cleaning fluids, lighter fluid and gasoline.
6. NEVER use the griddle in windy conditions. If located in a consistently windy area (oceanfront, mountaintop, etc.), a wind break is required. Always adhere to the clearances. Specified on the "Locating the Griddle" section of this manual.
7. NEVER leave the griddle unattended while cooking.
8. Risk of Explosion: NEVER use natural gas in a unit designed for liquid propane gas or vice versa.
9. Do not use lighter fluid in/on a gas griddle.
10. NEVER allow children to use or play near the griddle. Keep children and pets away from a hot griddle at all times.
11. Installation and any repairs or replacement of parts should be performed by a qualified service technician. If you are not qualified to install, repair, or replace parts of your griddle, please retain a qualified professional contractor or technician to do so.
12. Burn Hazard: NEVER lean over an open griddle. Do not place clothing or other flammable material on or near the griddle. Do not wear loose-fitting clothes or long sleeves while using the Griddle as some fabrics can be highly flammable and, if ignited, may result in personal injury or death.
13. Burn Hazard: When using the griddle, do not touch the griddle rack, burner grate, or immediate surroundings as these areas become extremely hot and can cause burns. Always use a covered/gloved hand when opening the griddle hood and only do so slowly to allow heat and steam to escape.
14. ALWAYS: have an ABC fire extinguisher accessible.
15. NEVER attempt to extinguish a grease fire with water or other liquids as this may cause a flashback that could result in personal injury or death.
16. NEVER use aluminum foil to line the griddle racks or the drip trays, this can alter airflow for proper combustion and also build up heat in the control area causing damage to the knobs.
17. NEVER allow grease or other hot material to drip from the griddle onto the valve, hose, or regulator. If that occurs, turn off the fuel supply immediately. After the Griddle has cooled, determine the cause of the dripping and correct it. After cleaning the valve, hose and regulator, perform a soapy water leak test before continuing use. If a leak is discovered, call a qualified technician for service.

General Safety Instructions (continued)

18. NEVER heat any unopened glass or metal container of food on the griddle. Pressure may build up and cause the container to burst, possibly resulting in death, serious personal injury, or property damage.
19. ALWAYS: Keep any electrical supply cords away from water or heated surfaces. Electrical cords should be placed away from walkways to avoid tripping hazard.
20. ALWAYS: Keep gas supply lines as short as possible.
21. NEVER move the griddle when hot.
22. NEVER use griddle while under the influence of drugs or alcohol.
23. NEVER store a spare gas cylinder under or near your griddle.
24. Fire Hazard: NEVER griddle without the drip tray in place; hot grease could leak downward and produce a fire or an explosion. Drip tray should be pushed all the way to the rack located just under the Griddle.
25. Fire Hazard: Grease is extremely flammable. Let hot grease cool down before attempting to handle or dispose of it. After use and cool-down, the drip tray should be cleaned on a regular basis and kept free of grease.
26. In the event that a burner goes out, turn burner knobs to the full OFF position, fully open the griddle hood and let it air out. NEVER attempt to use the Griddle until the gas has had time to dissipate.
27. Do not use a griddle until a leak check has been completed.
28. ALWAYS: Turn off the LP cylinder tank valve when your griddle is not in use.
29. ALWAYS: Ensure the control knobs are in the "OFF" position when not in use.
30. ALWAYS: Use only a Ground Fault Interrupter (GFI) protected circuit with this outdoor cooking gas appliance.

WARNING

**DO NOT RELY JUST ON THIS SAFETY SECTION. USE CAUTION AND COMMON SENSE AT ALL TIMES.
PLEASE READ THE REST OF THIS MANUAL CAREFULLY FOR OTHER IMPORTANT SAFETY WARNINGS.**

CALIFORNIA PROPOSITION 65 - WARNING: The burning of gas cooking fuels (propane gas) generates some byproducts (including Benzene) which are on the list of substances which are known by the State of California to cause cancer (birth defects) or reproductive harm. California law requires businesses to warn customers of potential exposure to such substances. To minimize exposure to these substances, always operate this unit according to the Use and Care Manual, ensuring you provide good ventilation when cooking with gas.

Limited Lifetime Warranty

TO THE MAXIMUM EXTENT PERMITTED BY LAW, THIS LIMITED LIFETIME WARRANTY AND THE REMEDIES SET FORTH BELOW ARE EXCLUSIVE AND IN LIEU OF ALL OTHER WARRANTIES, REMEDIES AND CONDITIONS, WHETHER ORAL OR WRITTEN, EXPRESS OR IMPLIED. TO THE MAXIMUM EXTENT PERMITTED BY LAW, WILDFIRE OUTDOOR LIVING ALSO SPECIFICALLY DISCLAIMS ANY AND ALL IMPLIED WARRANTIES, INCLUDING, WITHOUT LIMITATION, WARRANTIES OF MERCHANTABILITY AND FITNESS FOR A PARTICULAR PURPOSE.

WILDFIRE OUTDOOR LIVING PRODUCTS LIMITED LIFETIME WARRANTY –Wildfire Outdoor Living warrants to the original purchaser at the original site of delivery with proof of purchase of each outdoor gas griddle/Side burner that when subject to normal residential use, it is free from defects in workmanship and materials for the periods specified below. This warranty excludes griddles used in rental and commercial applications. This warranty excludes surface corrosion, scratches and discoloration which may occur during normal use. It does NOT cover labor or labor related charges. There will be shipping and handling charge for the delivery of the warranty part(s).

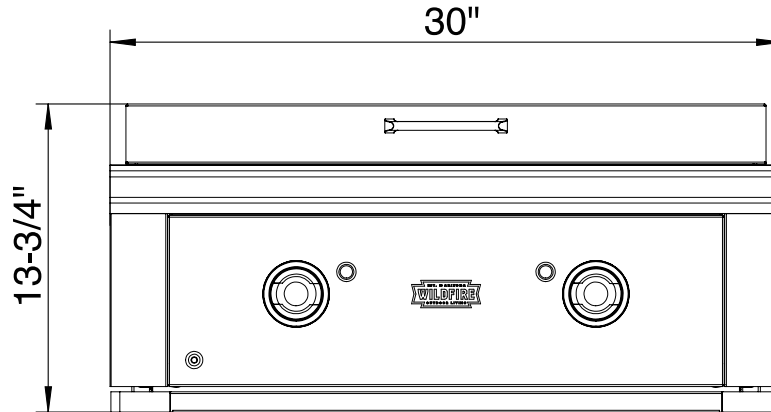
This product has a limited lifetime warranty that starts at date of purchase and continues throughout the life of the product.

Under this warranty, Wildfire has the option to repair or replace any defective part of the product during the warranty period. This warranty does not cover normal wear of parts, damage resulting from any of the following: negligent use or misuse of the product, use on improper fuel/gas supply, use contrary to operating instructions, or alteration by any person other than a factory service center. The warranty period is not extended by such repair or replacement.

WARRANTY CLAIM PROCEDURE: If you require service or parts for your Wildfire griddles, please contact our Warranty Service Center for factory direct assistance. Our hours of operation are 8 am to 4:30 pm MST. The phone number is 602-344-4840 and the email address is support@wildfireoutdoor-living.com. Please have your model number, serial number and proof of purchase available for any warranty claim.

Wildfire Outdoor Living may require the return of defective parts for examination before issuing replacement parts. If you are required to return defective parts, shipping charges must be prepaid by the customer. Upon examination and to Wildfire Outdoor determination, if the original part is proven defective, Wildfire Outdoor Living may approve your claim and elect to replace such parts without charge. In every instance, the customer is responsible for shipping and handling of replacement parts. Component repair or replacement is the exclusive remedy under this limited warranty and Wildfire Outdoor Living shall not be liable for any incidental or consequential damages.

Griddle Models



30" Flat Top Griddle

WF-PRO30GRD-RH-LP

WF-PRO30GRD-RH-NG

Model No.	Product Width (inch/mm)	BTU/HR (Main/Back)	Burner(s)	Knob Lights	Electric Required
WF-PRO30GRD-RH-LP	30" (762)	35,000	2 Burners	Yes	Yes - Qty 1
WF-PRO30GRD-RH-NG	30" (762)	35,000	2 Burners	Yes	Yes - Qty 1

* Each burner is capable of producing up to 17,000 BTUs. Each griddle has been optimized for fuel efficiency and cooking performance. Please contact Wildfire Customer Service for additional information on BTU output.

Locating the Griddle

Check your local building codes for the proper method of installation. In the absence of local codes, this unit should be installed in accordance with the National Fuel Gas Code No. Z223.1-1998 USA or CAN/CGA-B149.1/2 Natural Gas/Propane Code (Canada) latest edition or the National Electrical Code ANSI/NFPA No. 70 or the Canadian Electrical Code CSA C22.1, 1990 or latest version.

- Before installing built-in griddles in enclosures, copy all product information such as model number, serial number and type of griddle (e.g. natural gas or LP) and store information in a safe place.
- If the griddle is installed by a professional installer or technician, be sure that he or she shows you where your gas supply shut-off is located. All gas lines must have a shut-off that is readily and easily accessible. If you smell gas, check for gas leaks immediately. Check only with a soap and water solution. Never check for gas leaks with an open flame.

Notice: We strongly recommend professional installation of your WILDFIRE griddle. These instructions provide the measurements necessary to construct a masonry structure to house your outdoor gas griddle.

IMPORTANT: Gas fittings, regulator, and installer supplied shut-off valves must be easily accessible.

DANGER

LOCATION OF YOUR Griddle:

Locate the griddle only **OUTSIDE** in a well-ventilated area. Never locate the griddle in a building, garage, breezeway, shed or other such enclosed areas without an approved ventilation system. When in use, the griddle will generate a lot of smoke. When installing your griddle, select an outdoor location that will ensure there is adequate area for the smoke to dissipate **IN ORDER TO AVOID INHALATION OF POTENTIALLY TOXIC FUMES.**

Ventilation Requirements for Proper Operation of your Wildfire Griddle

- Ventilation for a gas gGriddle is absolutely mandatory to ensure that your griddle performs as intended and to ensure the safety of you, your family, and guests. Proper ventilation is necessary to allow heat inside your griddle to escape and also to allow any gas that has leaked from a tank or connection to escape before a buildup of such gas can occur and possibly ignite.

DANGER

Failure to provide proper ventilation cause a risk of bodily injury or death.

- If you elect to install your griddle into an island, the island itself must be ventilated properly. Any such island must have a minimum of 2 vents (but optimally 4 vents) per cabinet that has any sort of gas supply or connection. Each vent must be at least 20 sq. in in size and have access to outside/fresh air. Those vents will allow heat that is trapped inside due to wind to be able to dissipate out of the island vents. However, if the island is not ventilated properly and the wind is coming from the back, then the heat will try to escape through the easiest exit, which will most likely be through the bottom of the griddle and front control panel.

Locating the Griddle

WARNING

- A simple way to think of what is occurring inside your griddle is that when your burners are on, they are emitting a flame that creates the heat to cook your food. This heat must exhaust or escape from the griddle, otherwise you would eventually have a unit that would not only build up intense heat but also dangerous pressure. This could cause severe damage to not only the griddle but any operators or people or property near-by. The griddle itself allows for ventilation mainly through the rear of the unit above the rear panel but below the top of the hood. However, wind can act as a barrier to ventilation and exhaust. This blockage of exhaust can cause problems and hazardous conditions. Therefore, great care must be taken in selecting a location for your griddle and in the installation of it into any masonry island or other outdoor structure. This can cause the control panel and knobs to get hot to the touch and possibly even burn your fingers, not to mention that it can melt all rubber gaskets on the valves and damage the ignition system to where it will need full replacement.
- Ventilation and typical wind direction and conditions must always be considered when planning your outdoor cooking island. Just the same as you would plan the layout and measure your indoor kitchen, you must also do the same for the outdoors.

Clearance:

- **FROM NON-COMBUSTIBLE MATERIALS:** Wildfire Griddles can be placed directly on, or adjacent to, non-combustible materials, subject to ventilation requirements. The hood on a Wildfire Griddle is removable mainly on the body. If you have a wall or partition behind the unit that would block ventilation, then a minimum of 7" clearance from the back of the griddle to the wall is needed for the purpose of ventilation. If you do not have a wall or partition blocking the ventilation of the unit, then you only need an extra 2" behind the unit for the hood to open fully. If you wish to use the rotisserie option, you will want to make sure that you leave adequate space (at least 6") on each side of the griddle so that the motor and rotisserie spit handle will have room on the counter, as these extend past the overall dimensions of the griddle body.
- **FROM COMBUSTIBLE MATERIALS:** Wildfire Griddles must have at least 24" clearance from any combustible materials (in any direction) for the safety of the homeowner and for any Wildfire Warranty to remain in effect.

DANGER

- You CANNOT locate the griddle under any combustible material without an approved ventilation system located directly above the unit. To elaborate, Wildfire defines an approved ventilation hood as:
- The ventilation hood chosen must be UL certified, produced for outdoor use and must be installed according to the hood manufacturer's specifications.
- The hood must be installed at least 30" above the top of the cooking surface.
- The hood must be at least 6" wider than the griddles frame (3" on each side), not just the cooking surface.

For Built-in Installations

A built-in griddle is designed for easy installation into masonry enclosures. For non-combustible applications, the griddle drops into the opening (as shown in cut-out detail drawing - Fig. A) and hangs from the griddle body itself. A bottom deck is not required to support the griddle from the bottom. It is also required that:

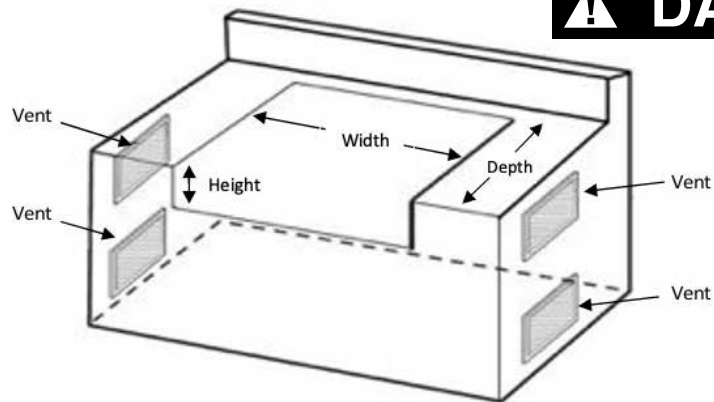
- A minimum of two ventilation holes in the enclosure, of at least 20 sq. inches in size (per vent), must be present to help release any leaking gas from the enclosure.
- As Propane is heavier than air, for propane griddles locate your vents at the tank valve height or lower
- As Natural Gas is lighter than air, for natural gas griddles locate your vents at the gas connection height or higher
- The counter should be flat and level relative to the floor.

⚠ WARNING ⚠ LP TANK STORAGE MUST BE ISOLATED IN A SEPARATE COMPARTMENT FROM THAT OF THE Griddle AND IT MUST BE VENTED AS WELL.(RECOMMEND BOTTOM VENTS FOR LP)

High Elevation Installation and Use

Wildfire Griddles are designed to operate most efficiently at 0-2000 feet above sea level. From 2000-4000 feet above sea level you will not notice any substantial decrease in your heat, although more gas is combusting within the burners due to less oxygen. Above 4000 feet, you may experience longer cooking times on your griddle than experienced at sea level. This is due to the air/fuel mixture taking place within the burners. If you have questions or concerns regarding your location or elevation, please contact Wildfire Customer Service for assistance.

Cut out Dimensions Figure A



Minimum of 2 vents, but optimally 4 vents, per cabinet that has any sort of gas supply or connection. Each vent must be at least 20 sq in in size and have access to outside/fresh air.

Two vents on each side will facilitate and improve airflow and ventilation

Model	Cutout Dimensions			Overall Dimensions			Total BTU Ratings		Electrical Outlets Needed (120V)
	Height	Width	Depth	Height	Width	Depth	LP	NG	Knob Lights
WF-PROGRD-RH-XX	10-1/2"	29"	21-7/8"	13-3/4"	30"	25-7/8"	35,000	35,000	Yes

Gas Requirements

NOTE: Wildfire strongly recommends that a qualified service technician perform the initial installation and all conversions or modifications to the gas supply.

WARNING

Never attach an unregulated gas line to the appliance. Connection to an unregulated gas line can cause excessive heat or fire and the risk of property damage, bodily injury, or death.

IMPORTANT: Before connecting your Griddle to a gas source, make sure Griddle control knobs are in the “OFF” position.

- Verify the type of gas supply to be used, either natural or liquid propane, and make sure the marking on the appliance rating label agrees with that of the gas supply. Do not connect a Wildfire liquid propane gas Griddle to a natural gas supply, and do not connect a Wildfire natural gas Griddle to a liquid propane gas supply.
- All pipe sealants must be an approved type and resistant to the actions of LP gas. Never use pipe sealant on flare fittings.
- The installation of this appliance must conform with local codes or, in the absence of local codes, with either National Fuel Gas Code, ANSI Z223.1/ NFPA 54, Natural Gas and Propane Installation Code, CSA B149.1, or Propane Storage and Handling Code, B149.2, or the Standard for Recreational Vehicles, ANSI A 119.2/ NFPA 1192M, and CSA Z240 RV Series, Recreational Vehicle Code, as applicable.

WARNING

Gas valves are preset at the factory to operate on liquid propane or natural gas. If you wish to convert, be sure to contact your Griddle dealer FIRST!

Liquid Propane Gas Supply

Always check the rating plate to make sure gas supply to which you connect the Griddle is the gas type for which the Griddle is manufactured. A Wildfire liquid propane (LP) gas Griddle is designed to operate on propane gas ONLY, at a pressure regulated at 11" (279.4mm) water column (W.C.) when equipped with the correct propane orifices on the valves and a propane regulator on the supply line regulated at the residential meter. A Wildfire liquid propane gas Griddle comes with a propane regulator that is designed to be used with a standard 20 lb. gas cylinder and those cylinders must be constructed and marked in accordance with specifications of the US Department of Transportation for propane gas cylinders.

DANGER

- Liquid propane (LP) gas is flammable and hazardous if handled improperly. Know its characteristics before using any propane products.
- Propane characteristics include: flammable, explosive under pressure, heavier than air and settles in pools and low areas.
- In its natural state, propane has no odor. For your safety, an odorant typically is added. ALWAYS purchase or refill your propane tanks from a reputable propane gas supplier.
- Contact with propane can cause freeze burns to the skin.
- NEVER use a propane cylinder with a damaged body, valve, collar or footing.
- A dented or rusted propane cylinder may be hazardous.
- Always keep LP cylinder securely fastened in an upright position.
- Never connect an unregulated propane gas cylinder to the Griddle.
- NEVER subject (expose) propane cylinders to excessive heat.

CAUTION

- Never store an LP gas cylinder inside a building or in the vicinity of any gas-burning appliance.

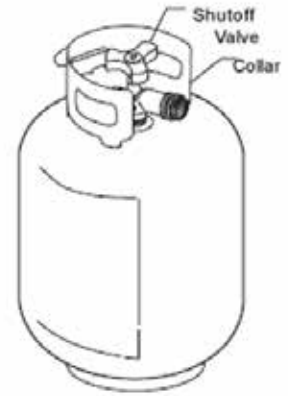
CAUTION

Cylinder Specifications

- Any L.P. gas supply cylinder used with this Griddle must be approximately 12 inches diameter and 18 inches high. The maximum fuel capacity is 80% and is approximately 20 pounds of propane.
- The L.P. cylinder must have a shut-off valve (see picture) terminating in a Type 1 L.P.
- A Type 1 compatible cylinder with a Type 1 cylinder valve has a back-check valve which does not permit gas flow, until a positive seal has been obtained.
- The cylinder must be arranged for vapor withdrawal. It must also include a collar to protect the cylinder valve. A safety relief device having direct communication with the vapor space of cylinder must be provided. This will expel high pressure gas if the cylinder is overfilled or overheated which could result in fire or explosion.

- All L.P. gas cylinders used with this appliance shall be constructed and marked in accordance with the specifications for L.P. gas cylinders of the U. S. Department of Transportation (DOT) or the National Standard of Canada, CAN/CSA-B339, Cylinders, Spheres and Tubes for Transportation of Dangerous Goods; and Commission, as applicable; and shall be provided with a listed overfilling prevention device.

- Read labels on the L.P. Gas Supply Cylinder.
- New cylinders are always shipped empty for safety.
- Allow only qualified L.P. gas dealers to fill or repair your L.P. gas supply cylinder.
- Inform the gas dealer if it is a new or used cylinder to be filled.
- After filling, have the gas dealer check for leaks and to see that the relief valve remains effective and in good repair.



Hose and Regulator (comes standard with the Griddle)

The Type 1 connection system has the following features:

- The system will not allow gas to flow until a positive connection has been made.

⚠ CAUTION ⚠

The cylinder control valve must be turned off before any connection is made or removed.

- The system has a thermal element that will shut off the flow of gas in the event of a fire.
- The system has a flow limiting device which, when activated, will limit the flow of gas to 10 cubic feet per hour.
- NEVER use Griddle without leak testing this connection.

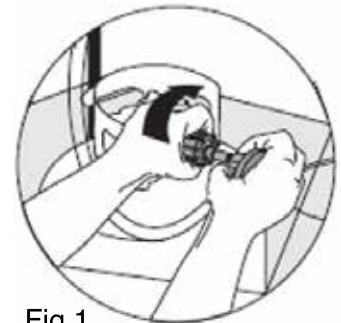
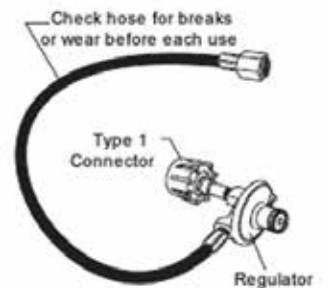


Fig.1

LP (Propane) Gas Supply Connection

1. The tank valve should be in the "OFF" position. If not, turn the knob clockwise until it stops.
2. Make sure all burner valves are in the "OFF" position.
3. Always connect the gas supply regulator as follows:

Insert the regulator inlet into the tank valve and turn the coupling nut clockwise until the coupler tightens up (see Figure 1). Do not over-tighten the coupler. Turn the main tank valve on, and turn the burner control valves on the unit to the "HIGH" position for about 20 seconds to allow the air in the system to purge before attempting to light the burners.

Pre-Operation Leak Testing

⚠ DANGER ⚠

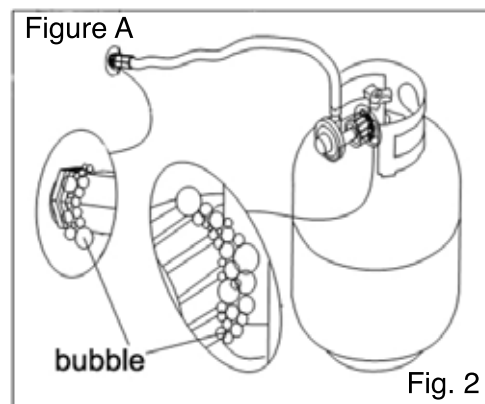
1. Do not insert any tool into the valve outlet or safety relief valve. You may damage the valve and cause a leak. Leaking propane may result in explosion, fire, severe personal injury, or death.
2. If a leak is detected at any time, or you cannot stop a gas leak, immediately close the tank's shut-off valve (gas supply from LP tank to the Griddle) and call LP gas supplier or your fire department!
3. Check all gas supply fittings before each use and each time the gas supply cylinder is connected to the regulator. Have a qualified service technician leak test the Griddle any time a part of the gas system is replaced.

⚠ WARNING ⚠

Never attempt to attach this Griddle to the self-contained LP gas system. Do not use the Griddle until leak testing has been completed.

Leak Testing Valves, Hose and Regulator

1. NEVER smoke while leak testing.
2. Extinguish all open flames. Never leak test with an open flame.
3. Mix a solution of mild detergent or liquid soap and water.
4. Turn all Griddle control knobs to OFF.
5. Ensure that the connections from the regulator to the Griddle and tank are tight and secure (Figure A).
6. Completely open LP tank valve by turning cylinder valve knob counterclockwise. If you hear a rushing sound, turn gas off immediately. There is a major leak at the connection. Correct before proceeding by calling the Wildfire Customer Service line at 602-344-4840.
7. If no rushing sound, brush soapy solution onto areas where bubbles are shown in LP tank (Figure 2).
8. If "growing" bubbles appear, there is a leak. Close LP tank valve immediately and retighten connections. If leaks cannot be stopped, do not try to repair the regulator, or tank valve, by yourself and contact the Wildfire Customer Service line at 602-344-4840.
9. Always close LP tank valve after performing leak test by turning cylinder valve knob clockwise.



⚠ WARNING ⚠

NOTE: When leak testing this appliance, make sure to test and tighten all loose connections. A slight leak in the system can result in a low flame, or a hazardous condition that could result in a fire or explosion.

LP Gas Supply Cylinder Disconnection

In order to disconnect the LP tank from the Griddle:

1. Turn the burner valves off.
2. Turn the tank valve off. (Turn shut-off clockwise to stop).
3. Detach the regulator assembly from the tank valve by turning the quick coupling nut counterclockwise.

LP Tank Removal, Transport and Storage

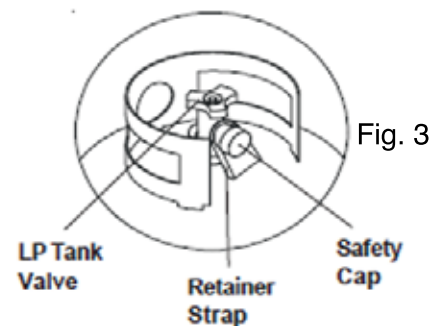
- Turn OFF all control knobs and LP tank valve. Turn coupling nut counterclockwise by hand only - do not use tools to disconnect.
Install safety cap onto LP tank valve. Always use cap and strap supplied with valve.

⚠ WARNING ⚠

Failure to use safety cap as directed may result in serious personal injury and/or property damage.

A disconnected LP tank in storage or being transported must have a safety cap installed (Figure 3).

- Never leave a LP tank inside a motor vehicle. (Heating of the vehicle could cause an increase in the gas pressure which may open the release valve allowing gas to escape resulting a serious risk of fire or explosion.)
- Do not store an LP tank in enclosed spaces such as a store room, garage, shed, covered patio or other building.
- Do not store LP tank in an area where children play.



LP Tank Filling

- Use only licensed and experienced LP dealers.
- LP dealer must purge tank before filling.
- Dealer should NEVER fill LP tank more than 80% of LP tank volume. Volume of propane in tank will vary by temperature.
- A frosty regulator indicates gas overfill. If frosty, immediately close LP tank valve and call local LP gas dealer for assistance.
- Do not release liquid propane (LP) gas into the atmosphere. This is a hazardous practice.
- To remove gas from LP tank, contact an LP dealer or call a local fire department for assistance.

LP Tank Exchange

- Exchange your Type 1 cylinder for OPD safety feature-equipped replacement tank ONLY.
- Always keep new and exchanged LP tanks in upright position during use, transit or storage. Leak test new and exchanged LP tanks BEFORE connecting to Griddle.

Large Capacity Propane Tanks and Homes:

If your entire house is plumbed for propane gas use, and you have an exterior connection for such use, then a standard LP Griddle from Wildfire can be connected to such outdoor propane connection, but you must be aware of the following:

- Wildfire does not supply any gas fittings or lines, other than the regulator needed within the griddle box.
- All Wildfire LP Griddles come with a 20lb tank regulator. This regulator cannot be used or modified to work on any other setup.

⚠ WARNING ⚠

- If you are running off of a large capacity tank (more than 20lbs), then an “in-line” LP regulator is needed, which can be purchased from any Wildfire authorized dealer or plumbing supply company. However, it is the responsibility of the owner/installer to verify that the correct regulator is purchased for the intended application and that it is installed properly.
- As codes vary from state to state, it is the responsibility of the owner/installer to ensure that all county, state and federal codes are followed for any gas installation.

NATURAL GAS SUPPLY

Always check the rating plate to make sure the gas supply to which you connect the griddle is the gas type the griddle is manufactured for.

⚠ CAUTION ⚠

A Wildfire natural gas (NG) Griddle is designed to operate on natural gas ONLY, at a pressure regulated at 4" (101.6mm) water column (W.C.) when equipped with the correct natural gas orifices on the valves and a natural gas regulator on the supply line regulated at the residential meter.

⚠ CAUTION ⚠

Never connect the Griddle to an unregulated gas supply.

NATURAL GAS CONNECTIONS MUST BE PERFORMED BY A LICENSED CONTRACTOR OR LOCAL GAS COMPANY REPRESENTATIVE.

Natural Gas Regulator

⚠ WARNING ⚠

NEVER use Griddle without leak testing this connection.

Natural gas regulator model: GR120

Gas pressure: 4" (101.6mm)

Maximum rate working pressure: 1/2 Psig



Leak Testing Valves, Hose and Regulator

1. NEVER smoke while leak testing.
2. Extinguish all open flames. Never leak test with an open flame.
3. Mix a solution of mild detergent or liquid soap and water.
4. Turn all griddle control knobs to OFF.
5. Ensure the connections from the regulator to the griddle and tank are tight and secure.
6. Completely open the shut-off valve. If you hear a rushing sound, turn gas off immediately. There is a major leak at the connection. Correct before proceeding by calling the Wildfire Customer Service line at 602-344-4840.
7. If no rushing sound, brush soapy solution onto all connection points.
8. If “growing” bubbles appear, there is a leak. Close the shut-off valve immediately and retighten connections. If leaks cannot be stopped, do not try to repair the regulator, or shut-off valve, by yourself and contact the Wildfire Customer Service line at 602-344-4840.

NOTE: When leak testing this appliance, make sure to test and tighten all loose connections. A slight leak in the system can result in a low flame, or a hazardous condition that could result in a fire or explosion.

Natural Gas Supply and Connection

1. Make sure all burner valves are in the “OFF” position
2. All NG units need to have a regulator and shut-off valve on the supply line.
3. All Pipe threads need to have proper, gas-rated, outdoor-rated thread sealant. Flare ends do not need or utilize pipe sealant.
4. Your NG Wildfire Griddle comes with a ½" pressure regulator, find gas hose with NG pressure regulator on rear of griddle.
 - a) Attach connection hose (not included) to the side of the NG regulator (it is also ½" MIP)
 - i. We suggest using ½" stainless steel corrugated hoses for all NG griddles
 - ii. Make sure that you purchase a hose of adequate length and capacity for the intended application.
 - b) Connect the other end of this hose to shut-off valve at the gas source.
 - i. Depending on your choice of hose and shut-off, the nipple going into the shut-off valve may vary.
 - c) Test all connections for leaks with a soap and water solution.

Wildfire is not responsible for the selection or performance of the contractor or installer who performs the connection of the natural gas supply to the griddle.

1. Transformer for LED Lights - Your griddle’s electrical transformer will connect on the left side of your griddle (looking at it from the front) and operates the LED lights.

Instruction for Connecting the Transformer

Follow the picture and insert the white male plug into the white female socket, on the left side of your griddle and then plug the transformer into a standard 110v outlet. If you have any questions or concerns, please consult or use a qualified electrician.



Transformer

Operating the Griddle

DANGER

- Failure to open the lid prior to igniting the barbecue's burners, or not waiting 5 minutes to allow the gas to clear if the barbecue does not light, may result in an explosive flame-up which can cause serious bodily injury or death.

GENERAL RULES

WARNING

NEVER leave the Griddle unattended while cooking!

- Check that the end of each burner tube is properly located over each valve orifice.
- Light the griddle burners using the instructions provided in this manual.
- Adjust heat settings to your desired cooking temperature.
- Allow griddle to cool down, wipe off any splatters or grease and clean the drip tray.
- NEVER put a cover on the griddle while it is still hot as it could start a fire.

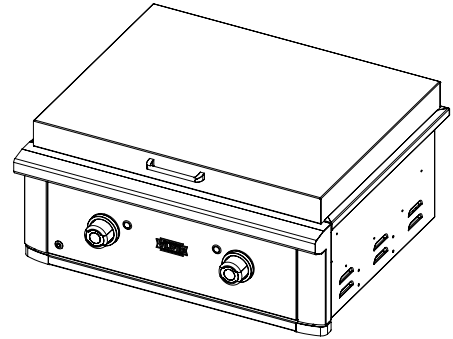
DANGER

Keep any electrical supply cords and the fuel supply hose away from any heated surfaces.

Lighting Instructions for your Griddle

Using the griddle's Built-In Ignition System:

1. Remove cover.
2. Keep your body, arms and face as far away from the burners and cooking surface as possible.
3. Select the burner that you want to ignite. Depress and rotate the knob corresponding to that burner counter-clockwise to the "High" position.
 - a. As you are nearing the "High" position, you will notice the valve getting tougher to turn. This is the spring inside the valve building up energy to create the spark. Once you hear a click, the igniter has fired the spark for that burner.
 - b. Do not turn the knob too fast, as you need the gas to travel into your manifold, then to the valve and finally into the burner where it will meet the spark from the igniter (at the front of the burner). Conversely, if you turn the knob too slowly, you can cause a build-up of gas in the griddle and create a large flash when it ignites.
4. If the burner does not ignite on the first attempt, try again immediately but be very aware of any gas building up inside the Griddle.



⚠ WARNING ⚠

- a. If the griddle does not light after three consecutive attempts, turn the knob to the "Off" position, keep the canopy open, and allow the griddle to clear of any built-up gas for at least 5 minutes before starting the process again.
5. If at this point the Griddle will still not ignite, contact Wildfire Customer Service at 602-344-4840, for further assistance to troubleshoot your griddle.

Using Your Griddle and Cooking Safely

Your griddle is designed to reach a temperature that you set by adjusting a valve that in-turn adjusts the amount of gas that goes through each burner. This valve is located behind the knob and is the key to your heat and fuel consumption.

Furthermore, the way to ignite the burners is through the valves, so please understand the importance of the valves/knobs and the position/care taken with respect to them.

WARNING

Example: If you forget to turn a knob off and the burner is not lit, then you will have a gas leak out of that valve. You must be aware of your griddle's status and be responsible!

First Time Use –

The first time you ignite your griddle, burn the griddle to get rid of any odors or trace debris that may be left over from manufacturing and transit. This is done by operating your griddle at the “HIGH” setting with the cover closed for no more than 5 minutes. After you have “burned off” the griddle, you are ready for cooking!

Burner Use –

Controlling how much gas flows through your burner determines the size of your flame. The ideal flame will be blue, with no yellow tip, and with no excessive noise coming out of the burner. If you happen to have any of these problems (yellow tip or excessive/unusual noise), wait until the griddle has completely cooled and safe to:

- Check the air adjustment screw on the side of the burner itself (called the Air Venturi) and also the adjustment screw that resides directly below the orifice to ensure proper gas flow into the burner from the valve.
- There are many reasons that can cause poor flames and heat but none are more serious than a gas leak, so always pay attention for the odor of gas (NG or LP), and do not forget to clean your burners (see Care and Maintenance section of this manual)!

WARNING

Flame Adjustment

1. Become familiar with the safety instructions at the front of this manual. Do not smoke while lighting the appliance or checking the gas supply connections.
2. Make sure that all gas connections are securely tightened and have been leak-tested with a soapy water solution - never with a flame!
3. With the griddle plate removed, light the main burners and run them on the high setting.
4. Inspect burners for proper flame appearance. The ideal flame appearance is one that is mostly blue and not lifting off of the burner surface. There is an air shutter found at the end of the burner (close to the valve) which can be either opened or closed to make adjustments to the flame's appearance. To adjust, remove the burner from the appliance and loosen the Philips head screw holding the air shutter to the burner. If the flame is yellow, open the air shutter to make the flame bluer. If the flame is lifting off of the burner surface, slightly close the air shutter. Re-tighten the Philips head screw and re-install the burner to recheck the flame appearance. Repeat if necessary.
5. Turn burners to low flame setting and test for proper flame height.
Flame should stand between 1/4" – 1/4" on LOW.

⚠️ WARNING ⚠️

- To adjust the LOW flame setting simply light the appliance on the LOW setting and adjust the screw located under the knob on the front of the valve using a flat head screwdriver as seen in the diagram below.)



Flame Adjustment Screw

Care & Maintenance

⚠️ CAUTION ⚠️

All cleaning and maintenance should be done only when griddle is cool & with the fuel supply turned off at the cylinder or source.

Drip Tray

The drip tray located below the griddle should be cleaned periodically to prevent buildup of debris.

NOTE: Allow the drip tray to cool before attempting to clean.

IMPORTANT: Always keep covered when not in use. Rain water can collect inside the griddle, the griddle cart, or the drip tray if left uncovered. If the drip tray is not cleaned after use and the griddle is left uncovered, the drip tray will fill with water causing grease and water to spill into the griddle cart. We recommend cleaning and storing the drip tray after every use.

Burners

IMPORTANT: Gas control knobs should be in the “OFF” position and fuel line/source should be disconnected. To reduce the chance of FLASHBACK, the procedure below should be followed at least once a month or when your griddle has not been used for an extended period of time.

Main Burners:

1. Clean main burners only when cool.
2. Remove your main burners from the griddle by removing the nut holding the burner down in the back and carefully lifting each burner up and away from the gas valve orifice.
3. Wire brush entire outer surface of burner to remove food debris and dirt. Clean any clogged ports with a stiff wire such as an open paper clip.
4. Inspect the burner for damage (cracks or holes) and if such damage is found, order and install a new burner.
5. After re-installation, check to insure that gas valve orifices are correctly placed inside ends of burner tubes. Also check position of spark electrode.

Stainless Steel Care and Maintenance

It is a common misconception that stainless steel will maintain its original factory shine with little help from the consumer. Unfortunately, this is not true. Stainless steel will not stain, discolor, corrode or rust as fast as other types of steel, but it is not fully stain or weather proof. If it is not properly maintained, all grades of stainless steel can face surface discoloration, corrosion and eventually rust. Any stainless steel that is exposed to the environment will require attention and care throughout its life to ensure that it keeps its shine and structural integrity.

Cleaning the Stainless Steel and Polishing

1. Allow griddle to cool before cleaning/polishing stainless steel. Do not clean or polish your griddle's stainless steel when the grill is in operation or still hot.
2. To clean the stainless steel, wash off all dirt and debris from the steel with warm water. If you have tough spots to clean, then a third-party degreaser product can be used.
3. Next, rinse and dry the steel thoroughly with a clean towel. Do not allow the steel to air dry as the standing water can cause surface discoloration.
4. The last step is to protect the unit with a good third-party polish. There are several third-party polishes on the market that will help keep your griddle protected from the elements for a longer period of time. Most of these polishes are toxic, so only use these on the exterior of the griddle. Follow instructions provided on any third-party polish products. Do not use such products on cooking surface.
 - a. Apply the polish to a clean paper towel and wipe with the direction of the grain in the stainless steel.
 - b. There should be no excess liquid on the surface but it is acceptable for it to be a little oily, as that will dissipate.
5. If your griddle has developed surface discoloration or surface rust, clean the unit as stated above and use a good third-party polish to remove or reduce the spots. Follow instructions provided on any third-party polish products. Wildfire does not insure or guarantee the performance of or results from such products.

Environmental Factors that can affect your griddle

There are several typical causes for surface discoloration and corrosion on your stainless-steel outdoor equipment:

1. Mortar (which contains lime) from the island assembly process has rested on the unit for a prolonged period of time and the unit was not cleaned quickly.
2. Pool chemicals were splashed onto the griddle (chlorine and acid will cause problems quickly) and the unit was not cleaned off promptly.
3. Hard water from sprinklers (chlorine in the water) was allowed to sit on the unit.
4. Salt from the ocean air/water was allowed to rest upon the griddle for a prolonged period of time before being cleaned (beach owners must be diligent in maintaining their outdoor stainless equipment).
5. Dust, or rust, from other metals found its way onto the griddle and was left on for an extended period of time.
6. Organic matters (such as certain types of food) might have gotten onto the surface of the griddle and it was then covered. With high humidity and low oxygen, corrosion will start to take place.
7. Sprays and cleaning solutions containing alkaline, lime, acid, salt, etc. might have been left on the griddle surface un-dried.
8. Failure to clean or polish your griddle in accordance with the instructions above.

Ways to Avoid Rust on your Griddle

1. Purchase a Wildfire griddle cover for your unit. This will ensure that your cover is a correct fit and breathable, while providing the protection needed to keep contaminants off of the surface.
2. When installing the unit, make sure to keep the unit covered when any masonry work is being performed. If any mortar or dust does come into contact with the stainless, make sure to wipe it off as soon as possible and use a stainless-steel polish immediately afterward.
3. Position your griddle away from areas that can receive water splash from a pool or hot tub.
4. Do not store pool chemicals in your island or island cabinets.

ANNUAL CLEANING OF Griddle HOUSING

Burn-off of the barbecue after every cookout will keep it ready for its next use. However, once a year, you should give the entire Griddle a thorough cleaning to keep it in top operating condition.

1. Allow Griddle to cool down completely. Shut off gas supply at source and disconnect fuel line. Protect fuel line fitting.
2. Remove and clean the cooking surface.
3. Remove warming rack and wash with mild detergent and warm water.
4. Cover the gas valve orifices with a piece of aluminum foil.
5. Brush the inside and bottom of the griddle with a stiff wire brush, and wash down with a mild soap and warm water solution. Wash thoroughly and let dry.
6. Remove aluminum foil from orifices and check orifices for obstruction.
7. Check electrode to make sure that a spark is being generated.
8. Reinstall griddle top.
9. Reconnect to gas source and observe burner flame for correct operation.

IMPORTANT: You should NOT line the bottom of the griddle housing with aluminum foil, sand or any other grease absorbent substance. Grease will not be able to drip into the drip tray and a grease fire may occur.

MAINTENANCE GUIDELINES

1. Keep outdoor cooking gas appliance area clear and free from combustible materials, gasoline and other flammable vapors and liquids.
2. Do not obstruct the flow of combustion and ventilation air.
3. Keep the ventilation opening(s) of the cylinder enclosure free and clear from debris.
4. Visually check burner flames. Burner flames should be blue and stable with no yellow tips or excessive noise. If any of these conditions occur, turn griddle off and call our customer service line.
5. Clean outdoor cooking gas appliance, including special surfaces, with recommended cleaning agents, if necessary.
6. Check and clean burner for insects and insect nests. A clogged tube can lead to a fire beneath the griddle.

Troubleshooting Your Griddle

GENERAL TROUBLESHOOTING

Inspect your burners at least once a year or immediately if any of the following conditions occur:

- The smell of gas.
- Flames appearing mostly yellow.
- The Griddle will not get hot enough.
- Burners make a snapping noise.
- The Griddle heats unevenly.

WARNING

SPIDER AND INSECT WARNING Spiders and insects can nest in the burners of this and other Griddles, which could disrupt gas flow. This dangerous condition could cause a fire behind and beneath the valve panel, damaging the Griddle and making it unsafe to operate. We recommend you check the Griddle and remove any spiders, insects and webs at least once a year to reduce this risk.

WHEN TO LOOK FOR SPIDERS/INSECTS

You should inspect the burners once a year or immediately after any of the following conditions occur:

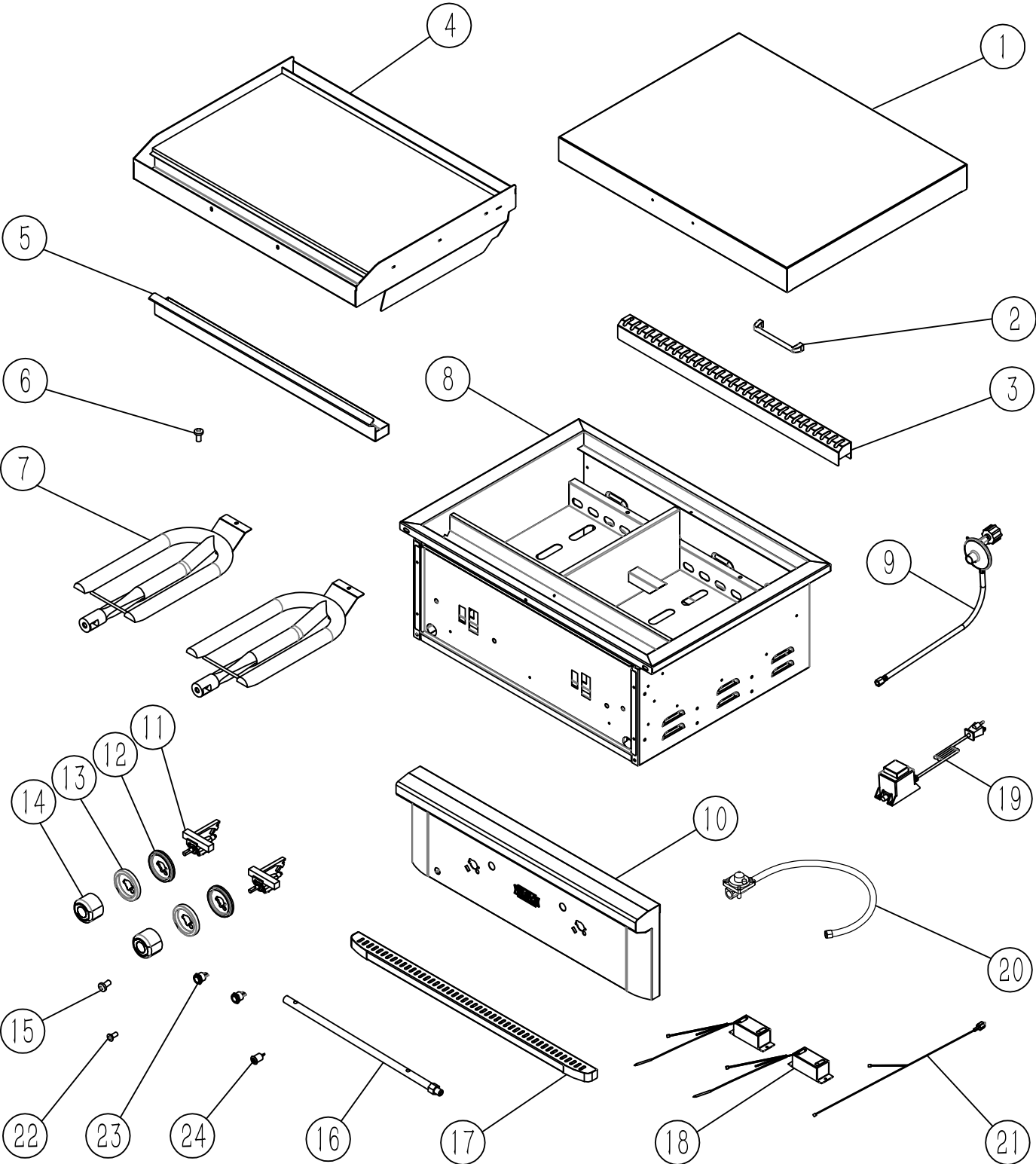
1. The smell of gas in conjunction with the burner flames appearing yellow.
2. The Griddle does not reach temperature.
3. The Griddle heats unevenly.
4. The burners make popping noises.

TROUBLESHOOTING

If the Griddle does not function properly, use the chart on the next page to assist in diagnosing the problem. Troubleshooting is for general purposes only. **ALWAYS ERR ON THE SIDE OF SAFETY.** If the problem still exists, contact our Wildfire Customer Service line at 602-344-4840.

Problem:	Possible Causes and Solutions:
Griddle will not light when the igniter button is pushed	<ul style="list-style-type: none"> • Is your gas supply turned on? • If this is an L.P. grill, is there gas in your tank? Check your gas level. • Is one of your burners turned on? Allow up to 5 seconds of gas flow to ignite. • Is your igniter working? <ul style="list-style-type: none"> - You should hear a snapping sound when you press the igniter. - If you hear a snapping sound, can you see a spark at the electrodes? <p>Note: You will need to remove your cooking grates and heat control grids to see the electrodes. The electrodes should have a U/8” to 1/4” gap between the electrode and contact point.</p> <ul style="list-style-type: none"> • Check for loose wire connections to the igniter or electrodes. • Check to see if debris is blocking the electrodes. • If the igniter is not working, can you light the grill with a lighter?
Yellow Flames	<ul style="list-style-type: none"> • Check the burner inlet for obstructions, particularly at air inlets for each burner. • Grill may be in an area that is too windy.
Flame blows out on low setting or has uneven heat distribution	<ul style="list-style-type: none"> • Check for spider webs or insect nest in venturi and clean venturi. • Cold grill needs to be preheated for 5 minutes on high setting. • Venturi may be misaligned and needs to be lined up cover orifices. • Cold and windy weather will require you to move grill away from the wind. • Lack of fuel. Check to see cylinder valve is open and cylinder has fuel.
Low heat with the knob on “HIGH”	<ul style="list-style-type: none"> • Check to see if the fuel hose is bent or kinked. • Make sure the grill area is clear of dust. • Check your gas supply and gas pressure. • If it is only one burner that appears low, make sure the orifice or burner is clean.
Griddle is Too Hot	<ul style="list-style-type: none"> • Damaged or faulty regulator. Replace with factory authorized parts. • Cook on a lower temperature setting.
Flame behind control panel or control knob area	<p>IMMEDIATELY shut off gas valve and allow grill to cool.</p> <ul style="list-style-type: none"> • Check for spider webs or insect nest in venturi and clean venturi. • Gas is leaking from a faulty connection. Tighten connections with an adjustable wrench and replace damaged parts. Perform a leak test on all connections before cooking on grill again. • Venturi may be misaligned and needs to be lined up over orifice. • If you cannot find the reason, call Customer Service at 602-344-4840 for assistance.
Fire at any connection.	<p>IMMEDIATELY shut off gas valve and allow griddle to cool.</p> <ul style="list-style-type: none"> • Gas is leaking from a faulty connection. Tighten connections with an adjustable wrench and replace damaged parts. • Perform a leak test on all connections before cooking on griddle again. • If you cannot find the reason, call Customer Service at 602-344-4840 for assistance.

WF-PRO30GRD-RH Exploded Parts View



WF-PRO30GRD-RH Parts Listing

Griddle			
No.	Description	Qty	Part No.
1	Cover	1	02-00369
2	Handle	1	02-00370
3	Flue Cover Assembly	1	02-00371
4	Flat Top Grill Plate Assembly	1	02-00372
5	Grease Tray	1	02-00373
6	M5x10 Round Screw	5	02-00374
7	Burner	2	02-00375
8	Firebox	1	02-00376
9	Propane Regulator	1	10-00023
10	Front Panel	1	02-00377
11	Standard Burner Valve LP	2	10-00018
11	Standard Burner Valve NG	2	10-00019
12	LED Light Ring	2	01-00088
13	Knob Base	2	03-00073
14	Knob	2	03-00074
15	M4x10 Round Screw	4	02-00378
16	Gas Pipe	1	10-00033
17	Front Panel Trim	1	02-00379
18	Terminal Block	2	01-00091
19	Transformer	1	01-00089
20	Natural Gas Regulator	1	10-00031
21	Wiring Harness	1	01-00092
22	M4x10 Flat Head Screw	12	02-00380
23	Light	2	01-00093
24	Light Switch	1	01-00087

DO NOT RETURN TO STORE!



CALL US FIRST

For immediate help with installation, product information or if your product arrives damaged, please call our toll free number at:

602-344-4840

(Monday - Friday, 8:00AM - 5:00PM, AZ Mountain Time)

Or email us at:

customerservice@wildfireoutdoorliving.com

OUR STAFF IS READY TO PROVIDE ASSISTANCE

RPG BRANDS

RPG BRANDS FAMILY OF COMPANIES

MODERN  FLAMES

GRAND  CANYON
GAS EDGE

WILDFIRE
OUTDOOR LIVING

Copyright © 2022 RPG Brands (Wildfire Outdoor Living). All rights reserved. Products and specifications subject to change without notice.
The product images shown are for illustration purposes only and may not be an exact representation of the product.