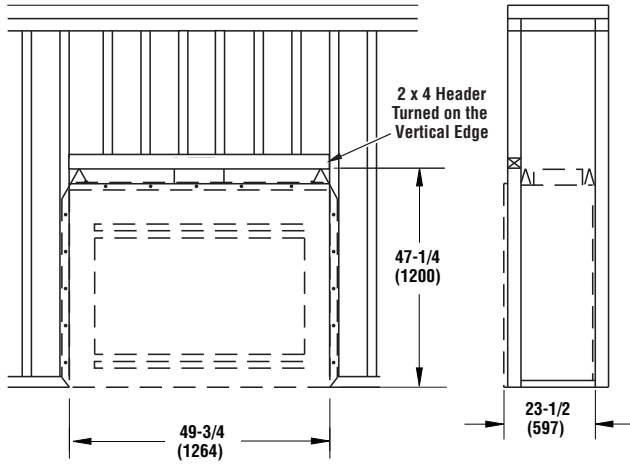


WRT3042 AND WCT3042 SERIES

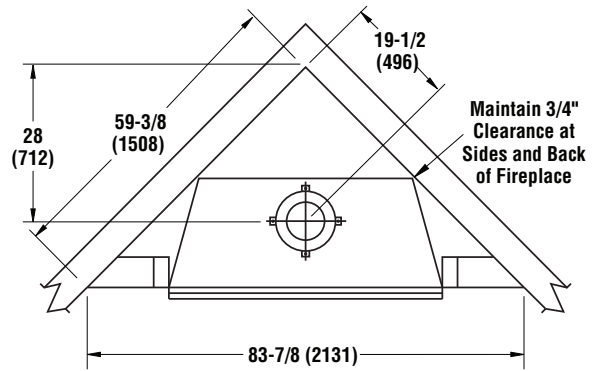
WOOD-BURNING FIREPLACES

Framing Dimensions



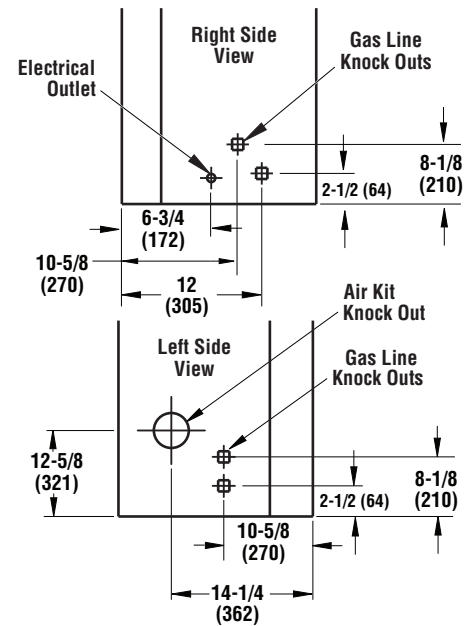
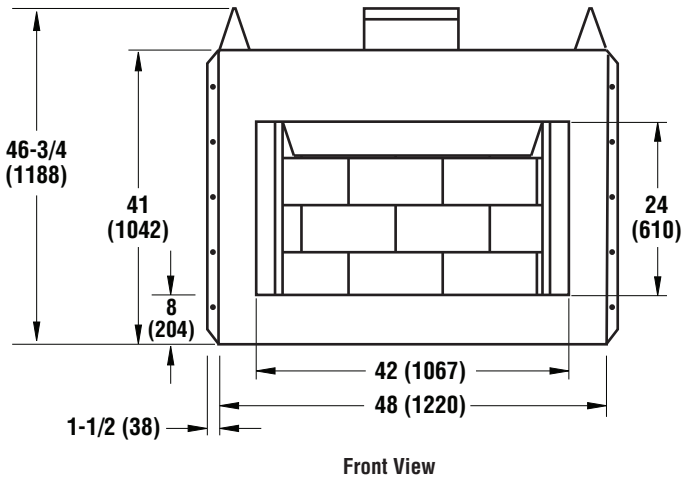
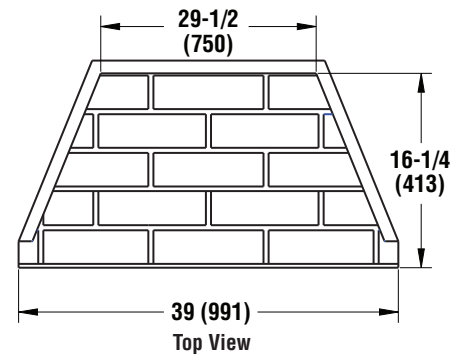
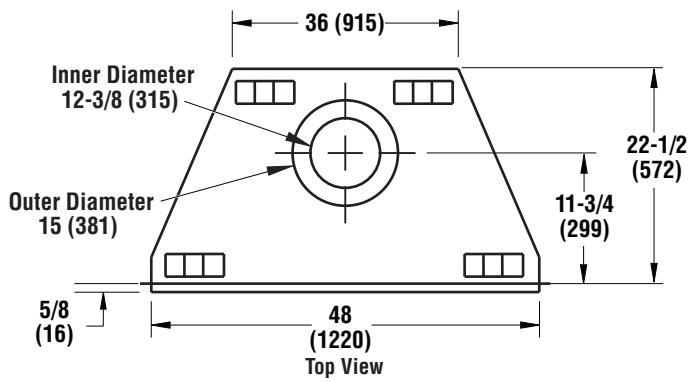
Parallel Framing Dimensions

Inches (millimeters)



Corner Framing Dimensions

Fireplace Dimensions



Inches (millimeters)

WRT3042 AND WCT3042 SERIES

Product Information

Product Reference Information				
Cat. No.	Model	Description	Shipping Weight	Shipping Volume
F0653	WRT3042RS	Radiant	224 lb.	32.0 cu. ft.
F0654	WRT3042RSI	Radiant	224 lb.	32.0 cu. ft.
F0655	WRT3042RH	Radiant	224 lb.	32.0 cu. ft.
F0665	WRT3042WS	Radiant	224 lb.	32.0 cu. ft.
F0666	WRT3042WSI	Radiant	224 lb.	32.0 cu. ft.
F0667	WRT3042WH	Radiant	224 lb.	32.0 cu. ft.

Product Reference Information				
Cat. No.	Model	Description	Shipping Weight	Shipping Volume
F0656	WCT3042RS	Louvered	224 lb.	32.0 cu. ft.
F0657	WCT3042RSI	Louvered	224 lb.	32.0 cu. ft.
F0658	WCT3042RH	Louvered	224 lb.	32.0 cu. ft.
F0668	WCT3042WS	Louvered	224 lb.	32.0 cu. ft.
F0669	WCT3042WSI	Louvered	224 lb.	32.0 cu. ft.
F0670	WCT3042WH	Louvered	224 lb.	32.0 cu. ft.

Listing Information



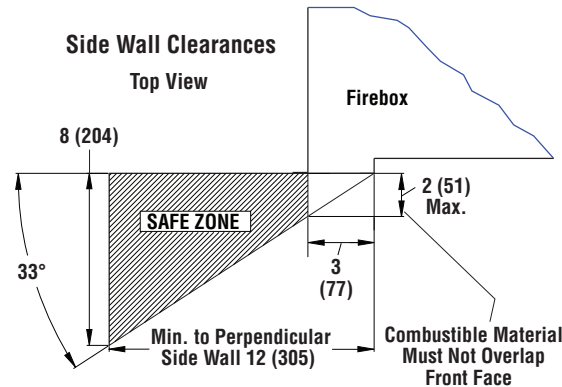
Report No. 10-078

This fireplace has been tested and approved by PFS Corporation under UL127/ULC-S610 standard as a Factory Built Appliance and may be used with gas logs approved to ANSI Z21.60, Z21.84 or Z21.11.2 standards.

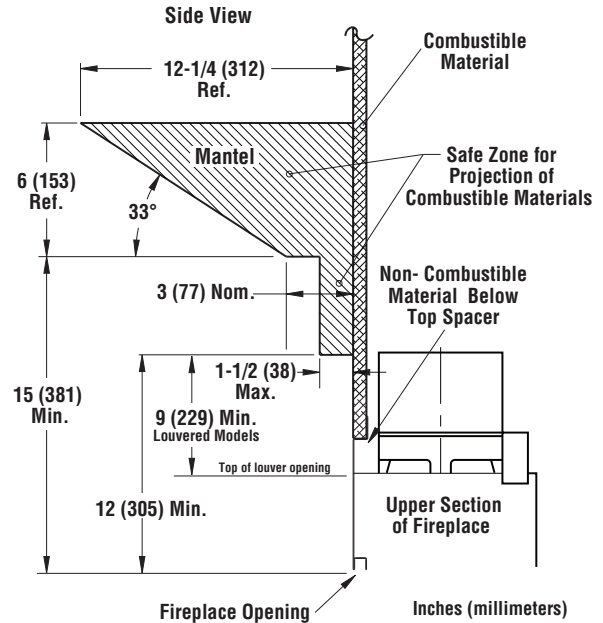
Clearances to Combustibles	
Description	Min. Clearance
Back and sides of fireplace	3/4 (19)*
Floor	0 (0)**
Perpendicular wall to opening	12 (305)
Top spacers	0 (0)
Chimney outer pipe surface	1 (26)

* Not required at nailing flanges

** See step 2 of Framing in the Installation and Operation Manual



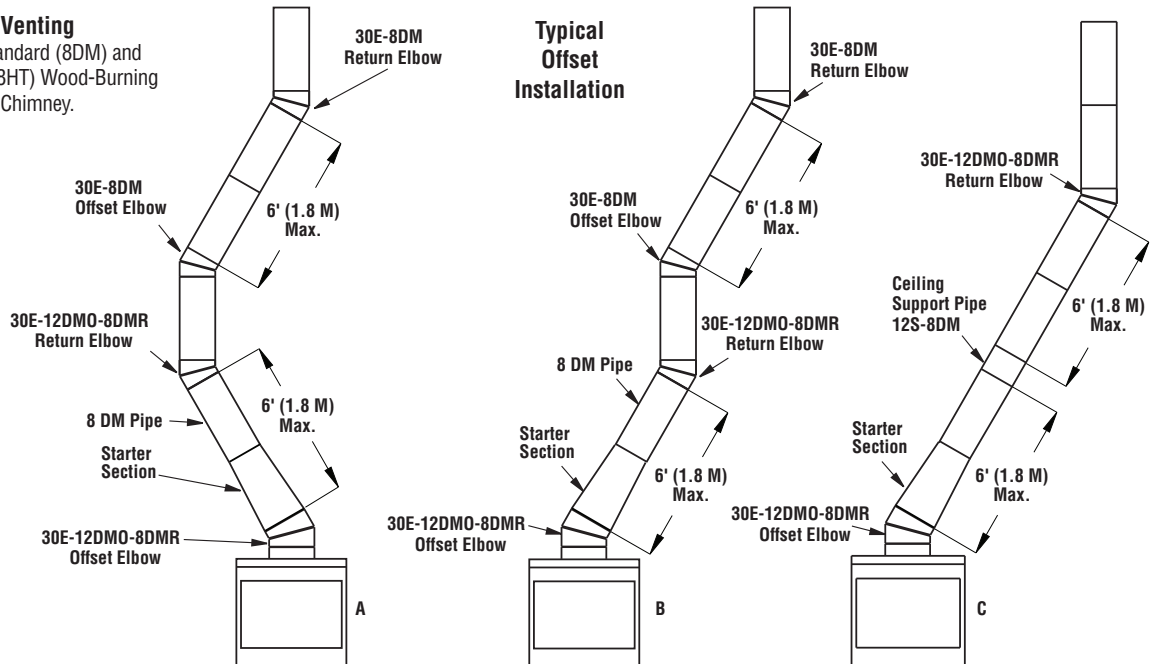
Mantel Clearances



Clearances

Venting

Uses Standard (8DM) and Hi-Temp (8HT) Wood-Burning Chimney.



Venting