

WOOD BURNING FIREPLACES

WRT4500 SERIES

Superior
FIREPLACES®
Our name is our promise.

"Captivating" is the only way to describe these massive wood burners. Designed for large interior applications, the WRT4500 Custom Series fireplaces feature a 30" tall opening and beautiful refractory panels for a realistic appearance.



FEATURED WRT4542 fireplace with White Herringbone Refractory Panels

EXCLUSIVE FEATURES

- 🔥 Available in 36", 42" and 50" models
- 🔥 Massive smoke dome for reliable operation
- 🔥 Fully insulated firebox for increased performance in colder climates
- 🔥 Refractory panels in two patterns with integrated ash lip
- 🔥 Heavy duty cast iron log grate with rugged forged andirons
- 🔥 Easy access damper control
- 🔥 Includes mesh fire screens
- 🔥 Optional glass doors available in black trim for improved safety
- 🔥 Optional gas log sets deliver the charm of a wood fire with the convenience of gas
- 🔥 Dual (left hand/right hand) outside air kits available for maximum performance
- 🔥 Durable textured powder coat finish
- 🔥 Uses IHP 12DM or 12HT (required for Canada) chimney system
- 🔥 20 year limited warranty



WRT4542 fireplace and its large heavy duty log grate and rugged forged andirons

INTERIOR

(Required)

Choose refractory panels in stacked or herringbone patterns.



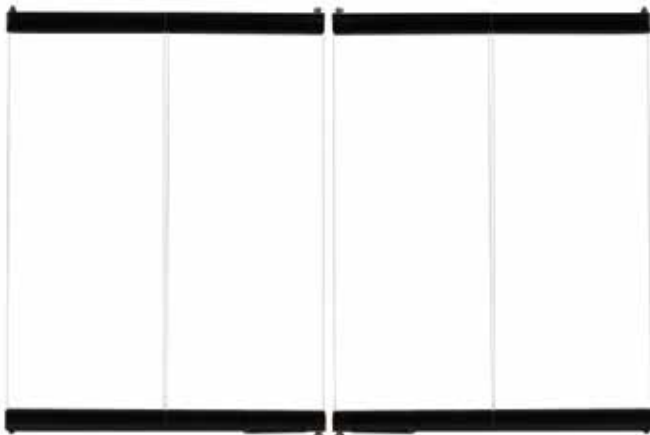
White Stacked



White Herringbone

OPTIONS

Glass Doors



Bi-fold glass doors in black trim finish

Gas Log Sets



Smoky Weathered Oak

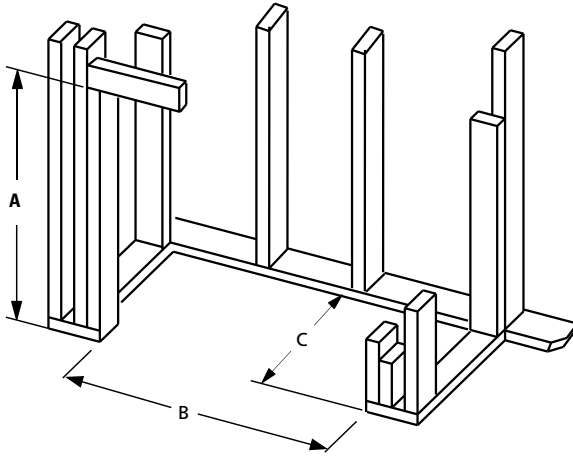


Ozark Charred Oak



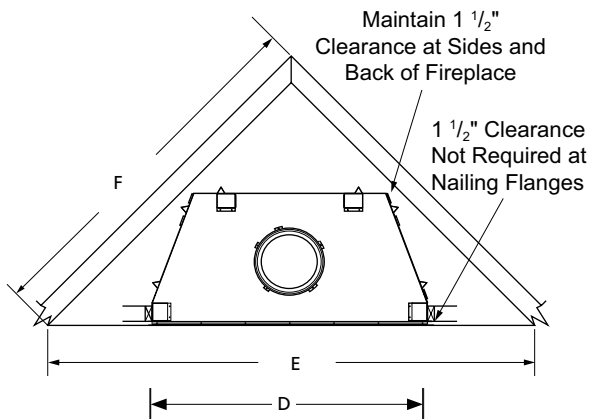
Ashton White Birch

FLAT WALL FRAMING SPECIFICATIONS



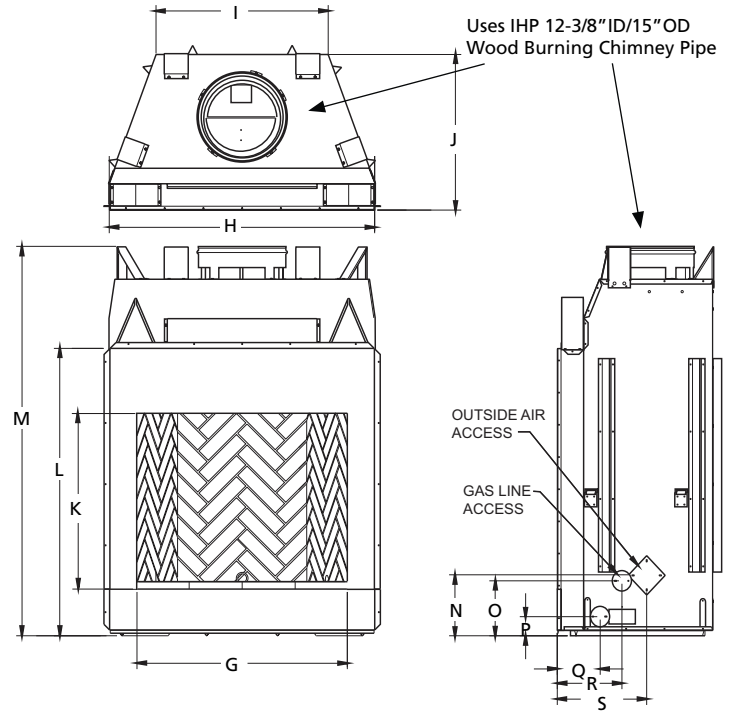
| | WRT4536 | WRT4542 | WRT4550 |
|---|---------|---------|---------|
| A | 67-1/8" | 67-1/8" | 67-1/8" |
| B | 45-1/4" | 51-1/4" | 59-1/4" |
| C | 28-1/4" | 30-1/8" | 30-1/8" |

CORNER FRAMING SPECIFICATIONS



| | WRT4536 | WRT4542 | WRT4550 |
|---|---------|---------|---------|
| D | 45-1/4" | 51-1/4" | 59-1/4" |
| E | 86-1/2" | 92" | 100" |
| F | 61" | 65" | 71" |

APPLIANCE SPECIFICATIONS



| | WRT4536 | WRT4542 | WRT4550 |
|---|---------|---------|---------|
| G | 36" | 42" | 50" |
| H | 45-1/8" | 51-1/8" | 59" |
| I | 29" | 30-1/2" | 38-1/2" |
| J | 26-5/8" | 29" | 28-1/2" |
| K | 30" | 30" | 30" |
| L | 49" | 49" | 49" |
| M | 67" | 67" | 67" |
| N | 10-1/2" | 10-1/2" | 10-1/2" |
| O | 9-1/2" | 9-1/2" | 9-1/2" |
| P | 3-1/2" | 3-1/2" | 3-1/2" |
| Q | 7-1/4" | 8-1/2" | 8-1/2" |
| R | 11" | 13" | 13" |
| S | 15-1/4" | 17" | 17" |

IMPORTANT NOTES:

As with any fireplace, this appliance is extremely hot during operation. Read and understand all operating instructions before using this appliance. For further information, consult your dealer.

Local conditions, such as elevation, wind, vent configuration and choice of fuel will affect overall appearance of the fire and heating performance. Performance can also vary with home design and insulation, climate, condition and type of fuel used, appliance location, burn rate, accessories chosen, chimney installation and how the appliance is operated.

Diagrams, illustrations and photographs are not to scale—consult installation instructions. Product designs, materials, dimensions, specifications, colors and prices are subject to change or discontinuance without notice.



© 2022 Innovative Hearth Products

785353M 03/22

Visit us online
SuperiorFireplaces.us.com

