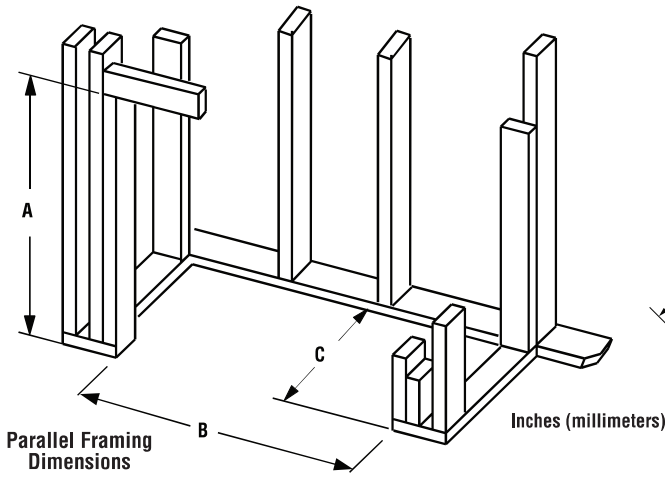


WRT4550 SERIES

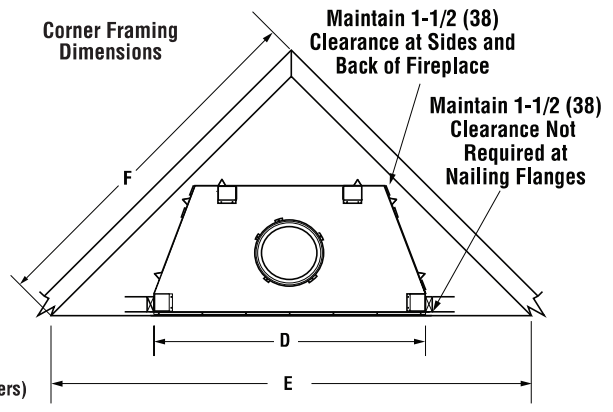
INDOOR WOOD-BURNING FIREPLACES

Framing Dimensions



Parallel Framing Dimensions

	50" Models
A	67-1/8 (1705)
B	59-3/4 (1518)
C	30-1/8 (766)



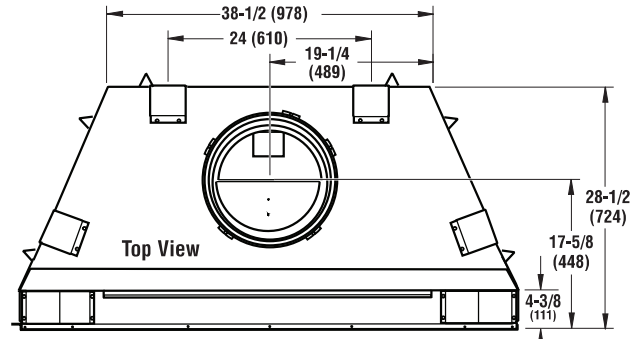
Corner Framing Dimensions

Maintain 1-1/2 (38) Clearance at Sides and Back of Fireplace

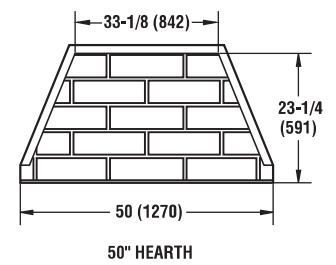
Maintain 1-1/2 (38) Clearance Not Required at Nailing Flanges

	50" Models
D	59-1/8 (1502)
E	100 (2540)
F	71 (1804)

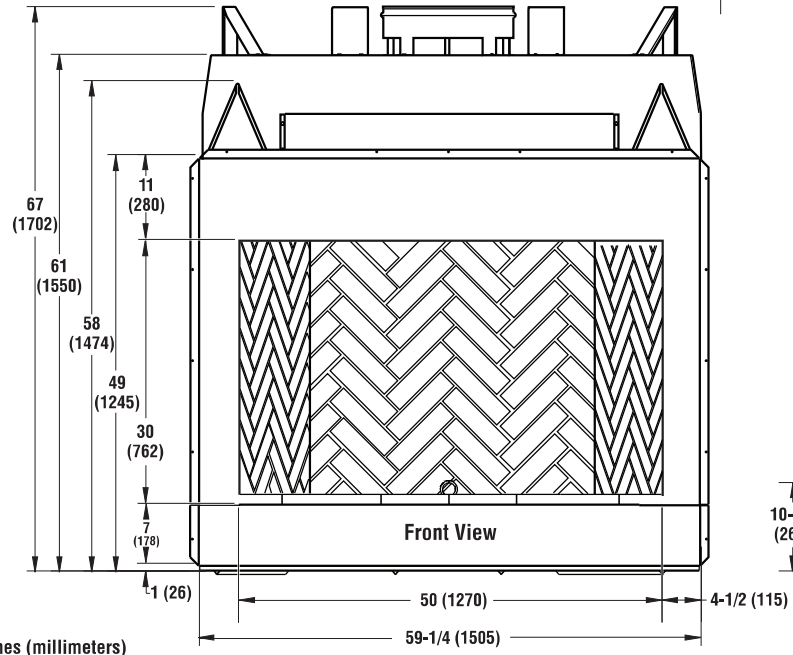
Fireplace Dimensions



Top View

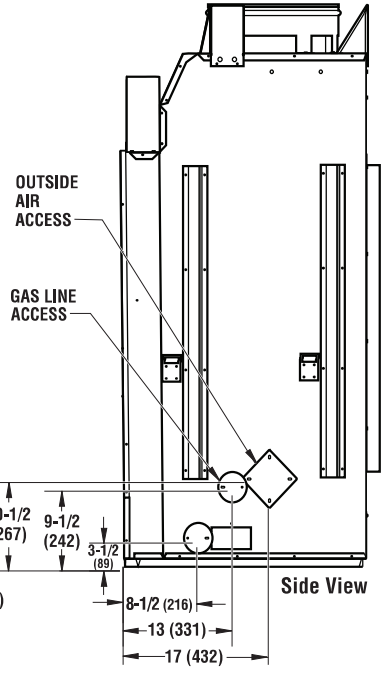


50" HEARTH



Front View

Inches (millimeters)



Side View

NOTE: DIAGRAMS & ILLUSTRATIONS ARE NOT TO SCALE.

WRT4550 SERIES

Product Information

Product Reference Information			
Cat. No.	Model	Shipping Weight	Shipping Volume
F0624	WRT4550RS	630 lb.	131.5 cu. ft.
F0630	WRT4550WS	630 lb.	131.5 cu. ft.
F0625	WRT4550RH	630 lb.	131.5 cu. ft.
F0631	WRT4550WH	630 lb.	131.5 cu. ft.

Listing Information



Report No. F09-095

These fireplaces have been tested and approved by PFS Corporation under UL1277/ULC-S610 standard as a Factory Built Appliance and may be used with gas logs approved to ANSI Z21.60, Z21.84 or Z21.11.2 standards.

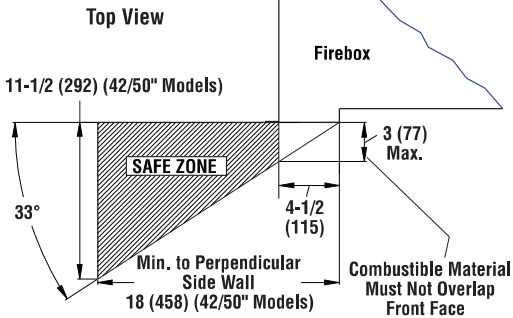
Clearances to Combustibles	
Description	Min. Clearance
Back and sides of fireplace	1-1/2 (38)*
Ceiling	42 (1067)
Front of fireplace	48 (1220)
Floor	0 (0)**
Perpendicular wall to opening	18 (458)
Top spacers	0 (0)
Chimney outer pipe surface	2 (51)

* Not required at nailing flanges

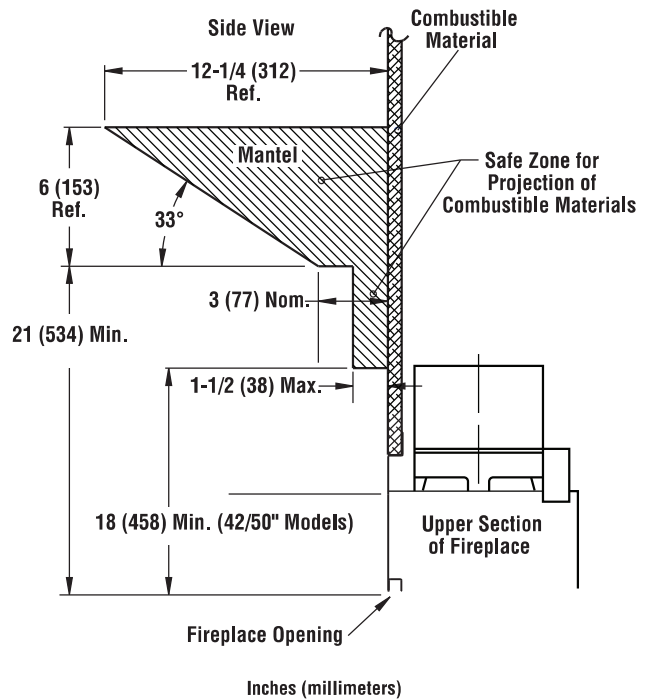
** See step 2 of Framing in the Installation and Operation Manual

Clearances

Side Wall Clearances



Mantel Clearances



Venting

Venting
Uses Standard (12DM) and Hi-Temp (12HT) Wood Burning Chimney. For Canada Use 12HT Chimney

