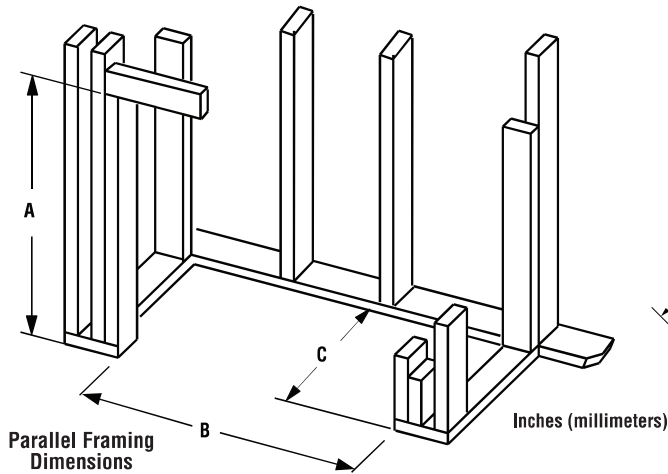


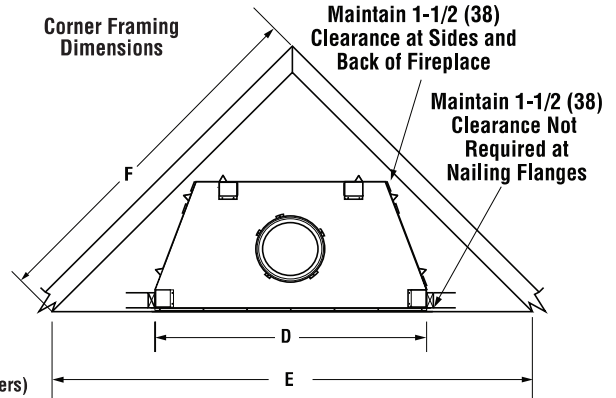
WRT6000 36/42/50 SERIES

WOOD-BURNING FIREPLACES

Framing Dimensions

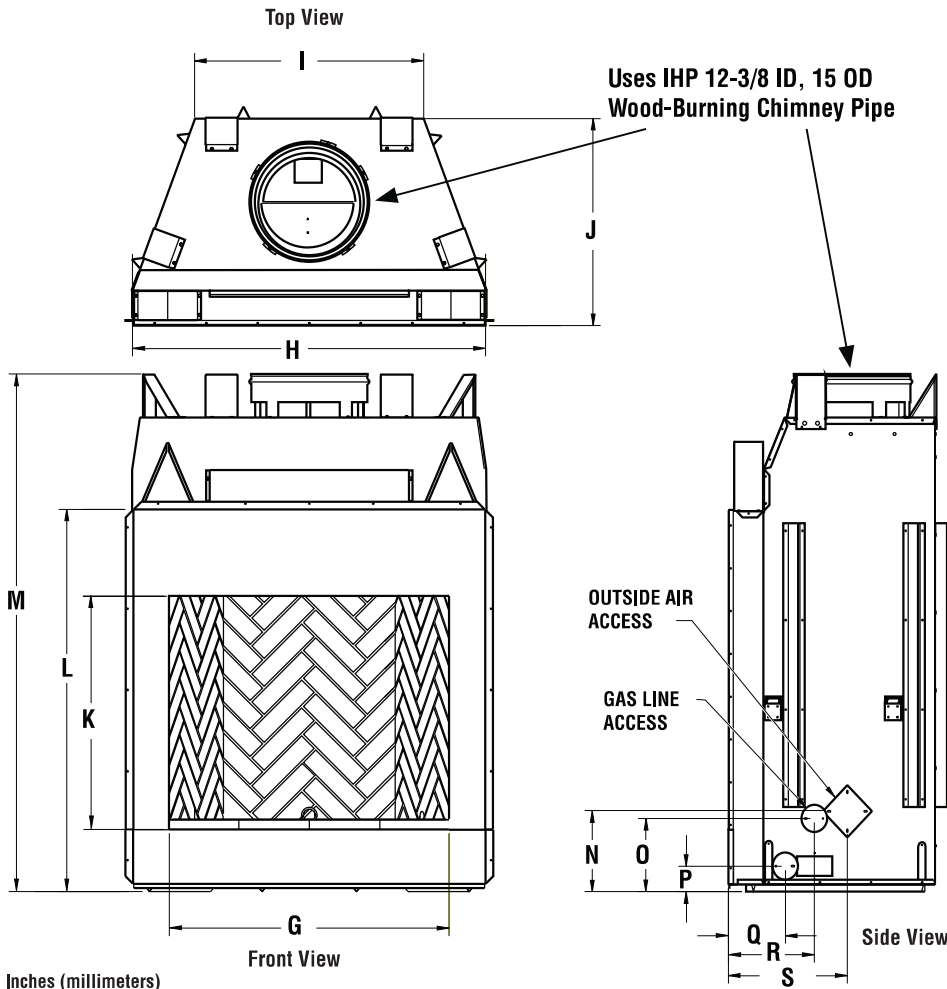


	36" Models	42" Models	50" Models
A	67-1/8 (1705)	67-1/8 (1705)	67-1/8 (1705)
B	45-5/8 (1159)	51-5/8 (1312)	59-3/4 (1518)
C	28-1/4 (718)	30-1/8 (766)	30-1/8 (766)



	36" Models	42" Models	50" Models
D	45-1/4 (1150)	51-1/4 (1302)	59-1/4 (1505)
E	86-1/2 (2197)	92 (2337)	100 (2540)
F	61 (1550)	65 (1651)	71 (1804)

Fireplace Dimensions



	36" Model	42" Model	50" Model
G	36 (915)	42 (1067)	50 (1270)
H	45-1/8 (1147)	51-1/8 (1299)	59-1/4 (1505)
I	29 (737)	30-1/2 (775)	38-1/2 (978)
J	26-5/8 (677)	29 (737)	29 (737)
K	30 (762)	30 (762)	30 (762)
L	49 (1245)	49 (1245)	49 (1245)
M	67 (1702)	67 (1702)	67 (1702)
N	10-1/2 (267)	10-1/2 (267)	10-1/2 (267)
O	9-1/2 (242)	9-1/2 (242)	9-1/2 (242)
P	3-1/2 (89)	3-1/2 (89)	3-1/2 (89)
Q	7-1/4 (185)	8-1/2 (216)	8-1/2 (216)
R	11 (280)	13 (331)	13 (331)
S	15-1/4 (388)	17 (432)	17 (432)

WRT6000 36/42/50 SERIES

Product Information

Product Reference Information			
Cat. No.	Model	Shipping Weight	Shipping Volume
F0600	WRT6036RS	580 lb.	131.5 cu. ft.
F0601	WRT6036IS	580 lb.	131.5 cu. ft.
F0602	WRT6036RH	580 lb.	131.5 cu. ft.
F0603	WRT6036IH	580 lb.	131.5 cu. ft.
F0604	WRT6042RS	660 lb.	131.5 cu. ft.
F0605	WRT6042IS	660 lb.	131.5 cu. ft.

Product Reference Information			
Cat. No.	Model	Shipping Weight	Shipping Volume
F0606	WRT6042RH	660 lb.	131.5 cu. ft.
F0607	WRT6042IH	660 lb.	131.5 cu. ft.
F0608	WRT6050RS	750 lb.	131.5 cu. ft.
F0609	WRT6050IS	750 lb.	131.5 cu. ft.
F0610	WRT6050RH	750 lb.	131.5 cu. ft.
F0611	WRT6050IH	750 lb.	131.5 cu. ft.

Listing Information



Report No. F09-095

These fireplaces have been tested and approved by PFS Corporation under UL127/ULC-S610 standard as a Factory Built Appliance and may be used with gas logs approved to ANSI Z21.60, Z21.84 or Z21.11.2 standards.

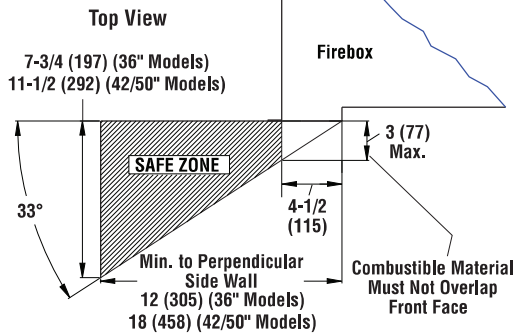
Clearances to Combustibles

Description	Min. Clearance
Back and sides of fireplace	1-1/2 (38)*
Ceiling	42 (1067)
Front of fireplace	48 (1220)
Floor	0 (0)**
Perpendicular wall to opening (42" & 50" Models)	18 (458)
Perpendicular wall to opening (36" Models)	12 (305)
Top spacers	0 (0)
Chimney outer pipe surface (42" & 50" Models)	2 (51)
Chimney outer pipe surface (36" Models)	1 (26)

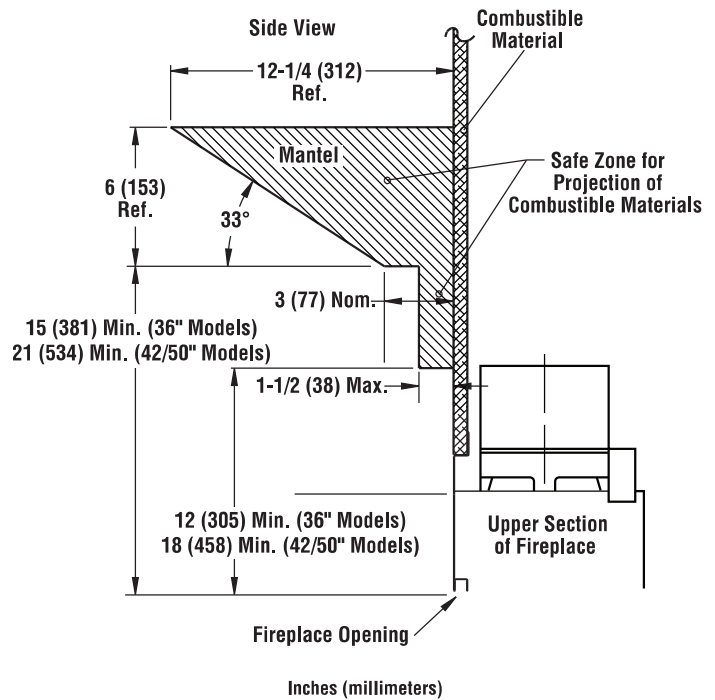
* Not required at nailing flanges

** See step 2 of Framing in the Installation and Operation Manual

Side Wall Clearances



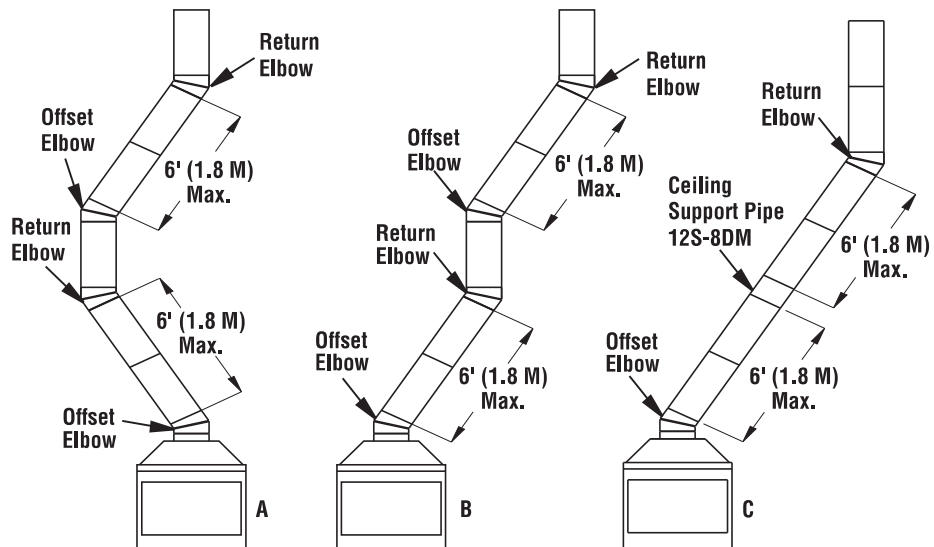
Mantel Clearances



Clearances

Venting

Uses Standard (12DM) and Hi-Temp (12HT) Wood-Burning Chimney and Hi-Temp (12HT) Wood-Burning Chimney



Venting