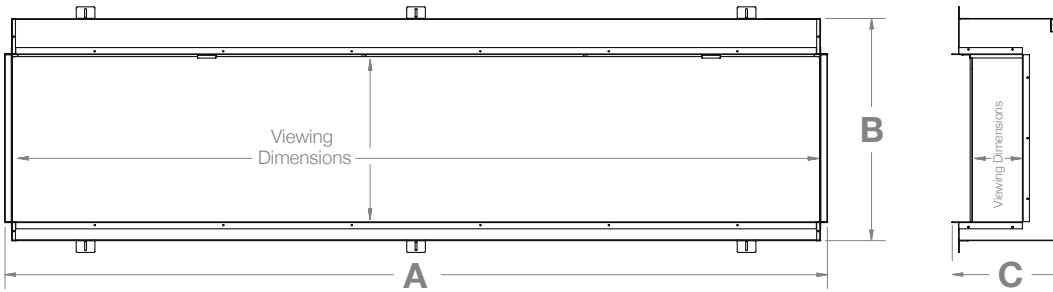


IgniteXL® Bold

88" Linear Electric Fireplace

XLF8817-XD

Product Dimensions:



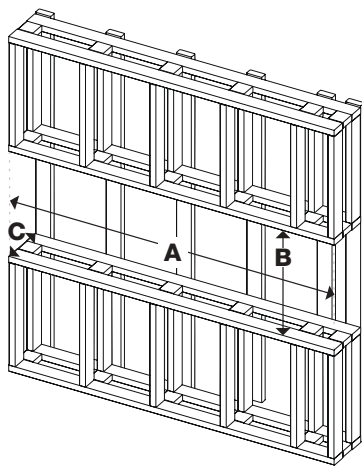
Product	A WIDTH (in/cm)	B HEIGHT (in/cm)	C DEPTH (in/cm)	VIEWING DIMENSION - WxHxD (in/cm)
XLF8817-XD	88-1/4 (224.1)	23-7/8 (60.7)	12-1/8 (30.5)	86-1/2 x 16-1/4 x 5-1/2 (219.8 x 41.4 x 14.0)

Framing Dimensions:

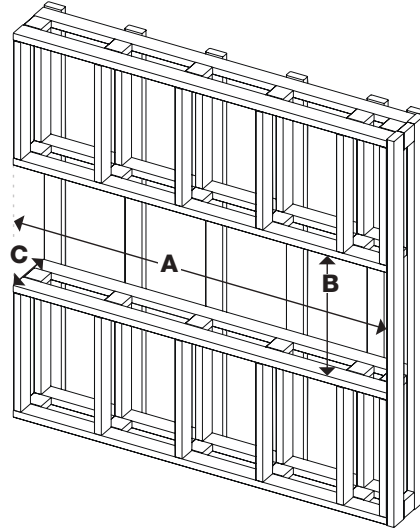
Width	Height	Depth (minimum)
A	B	C
87-1/4" 221.5 cm	24-1/4" 61.6 cm	11-5/8" 29.5 cm

The dimensions are the same for single-sided, two-sided, or three-sided installations.

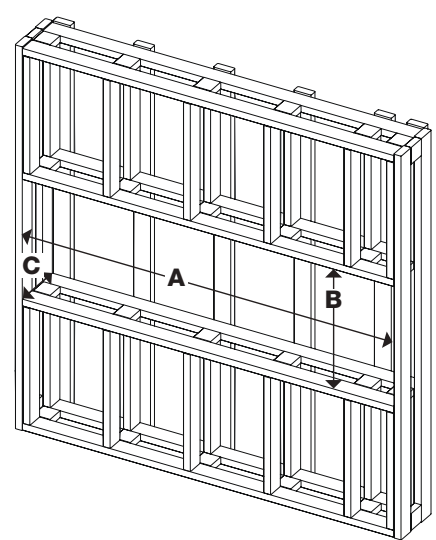
Bay Installation



Right/Left Corner Installation



Front Installation



CAUTION: This fireplace is NOT load-bearing. Ensure the opening for the fireplace is framed in such a way that the weight of the building materials will not create pressure on the top of the fireplace.

NOTE: Wiring is performed at the top right back corner of the firebox. Plan the framing to allow routing the power cable to this location.

NOTE: It is recommended that the bottom of the unit be mounted between 20 in. and 40 in from the ground to maintain an optimized viewing angle of the flame.